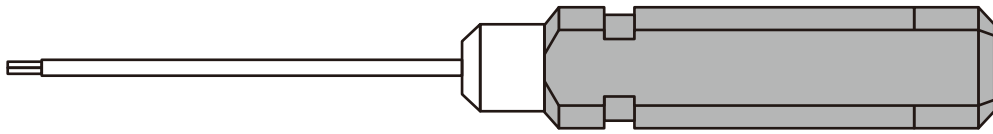




RC4WD GELANDE II TRUCK KIT 1/10 CHASSIS KIT



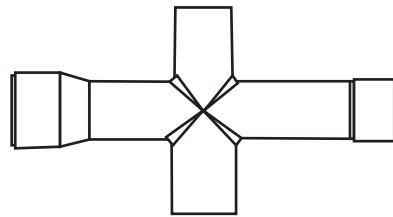
Recommended Tools



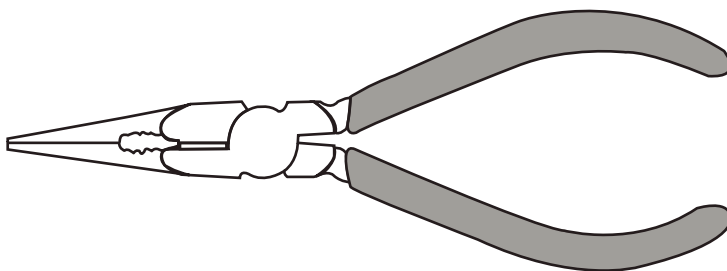
Hex Drivers (1.5mm, 2mm, 2.5mm)



Thread Lock



Cross Wrench



Long Nose Pliers

Tips for Assembly

Use good quality hex drivers to avoid stripping screw heads.

Use thread lock when putting metal screws into metal parts.

Note: Steps marked with an asterisk (*) require thread lock.

Use thread lock sparingly.

Do not over tighten screws otherwise you may strip the thread.

Warranty

RC4WD non-electrical products are warranted to be free of defects in materials and workmanship when new. Our limited warranty does not cover damages due to normal wear and tear, user error of assembly or installation, user modifications, user's failure to perform routine maintenance, addition of aftermarket parts or option parts. This warranty lasts 30 days after arrival for original purchaser.

In the event of a defect under this warranty, RC4WD will, at our discretion, replace the product, provided our inspection indicates that an original defect exists. RC4WD reserves the right to replace any product which is no longer available with a product of comparable value and function. If RC4WD determines the repair is not covered under warranty guidelines, we will contact you to discuss your options. If you have any questions, please contact us via email at support@rc4wd.com.

RC4WD warrants its electronics for 30 days from date of arrival. This covers all electrical items except items that are already noted on the individual product page.

Los productos no eléctricos RC4WD están garantizados como libres de defectos en materiales y mano de obra cuando son nuevos. Nuestra garantía limitada no cubre los daños debidos al desgaste normal, a errores de montaje o instalación por parte del usuario, a modificaciones del usuario, a la falta de mantenimiento rutinario por parte del usuario, a la adición de piezas de recambio o a piezas opcionales. Esta garantía dura 30 días después de la fecha de entrega para el comprador original.

En el caso de un defecto bajo esta garantía, RC4WD, a nuestra discreción, reemplazará el producto, siempre que nuestra inspección indique que existe un defecto original. RC4WD se reserva el derecho de sustituir cualquier producto que ya no esté disponible por otro de valor y función comparables. Si RC4WD determina que la reparación no está cubierta por la garantía, nos pondremos en contacto con usted para discutir sus opciones. Si tiene alguna pregunta, por favor contáctenos por correo electrónico a support@rc4wd.com.

RC4WD garantiza su electrónica por 30 días a partir de la fecha de entrega. Esto cubre todos los artículos eléctricos, excepto los que ya están anotados en la página del producto individual.

Les produits non électriques RC4WD sont garantis comme étant exempts de défauts de matériaux et de fabrication lorsqu'ils sont neufs. La garantie limitée ne couvre pas les dommages dus à l'usure normale, aux erreurs de montage ou d'installation de l'utilisateur, aux modifications apportées par l'utilisateur, au défaut d'entretien courant de l'utilisateur, à l'ajout de pièces de rechange ou de pièces optionnelles. Cette garantie dure 30 jours à compter de la date d'arrivée de l'acheteur initial.

En cas de défaut au titre de cette garantie, RC4WD remplacera, à notre discrétion, le produit, à condition que notre inspection indique qu'il s'agit d'un défaut d'origine. RC4WD se réserve le droit de remplacer tout produit indisponible par un produit de valeur et de fonction comparables. Si RC4WD détermine que la réparation n'est pas couverte par les directives de garantie, nous vous contacterons pour discuter des possibilités qui s'offrent à vous. Si vous avez des questions, veuillez nous contacter par courriel à support@rc4wd.com.

RC4WD garantit ses appareils électroniques pendant 30 jours à compter de la date d'arrivée. Cette garantie couvre tous les articles électriques, à l'exception de ceux qui sont déjà mentionnés sur la page de chaque produit.

Alle RC4WD, nicht elektrischen Produkte“ sind garantiert frei von Materialfehlern durch die Produktion und Verarbeitung. Die Garantie deckt nicht Schäden aufgrund normaler Abnutzung, Benutzerfehler bei der Montage oder Installation, Änderungen durch den Benutzer, unterlassen der routinemäßigen Wartung durch den Benutzer, hinzufügen von Fremdteilen oder Optionsteile. Diese Garantie beträgt 30 Tage nach Kauf und Erhalt der Ware durch den Käufer. Im Falle eines Mangels im Rahmen dieser Garantie, wird RC4WD nach Ermessen und sofern nach einer Kontrolle ein ursprünglicher Defekt vorliegt, das Produkt austauschen.

RC4WD behält sich das Recht vor, Produkte die nicht mehr erhältlich sind, mit einem gleichwertigem Produkt mit vergleichbarer Funktion zu tauschen.

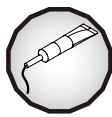
Wenn die Reklamation nicht mehr unter der Garantie fällt, wird Sie RC4WD für weitere Lösungen kontaktieren. Bei Fragen kontaktieren Sie uns bitte per E-Mail unter support@rc4wd.com.



Instruction Manual Symbols Key



Apply Thread Lock



Apply Grease



Glue



Trim with Hobby Knife



CA Glue



Remove



Cut with Scissors



Repeat or Build Multiple



Build Right and Left



Paint



Attention



Build Front and Rear

Tips for Assembly

- Use good quality hex drivers to avoid stripping screw heads.
- Open kit bags in order of assembly steps.
- Use “Step” index for quantity and size of hardware to be used for assembly.
- Do not over tighten screws.
- Use thread lock sparingly on metal parts.

Recommendations for building your RC4WD Gelande II Truck Kit 1/10 Chassis Kit

1. Carefully remove all parts from bags and sort them. Make sure to use threadlock on all screws in aluminum.
2. Do not over-tighten screws. Stripping screw heads and holes during assembly can happen if you are using too much force.



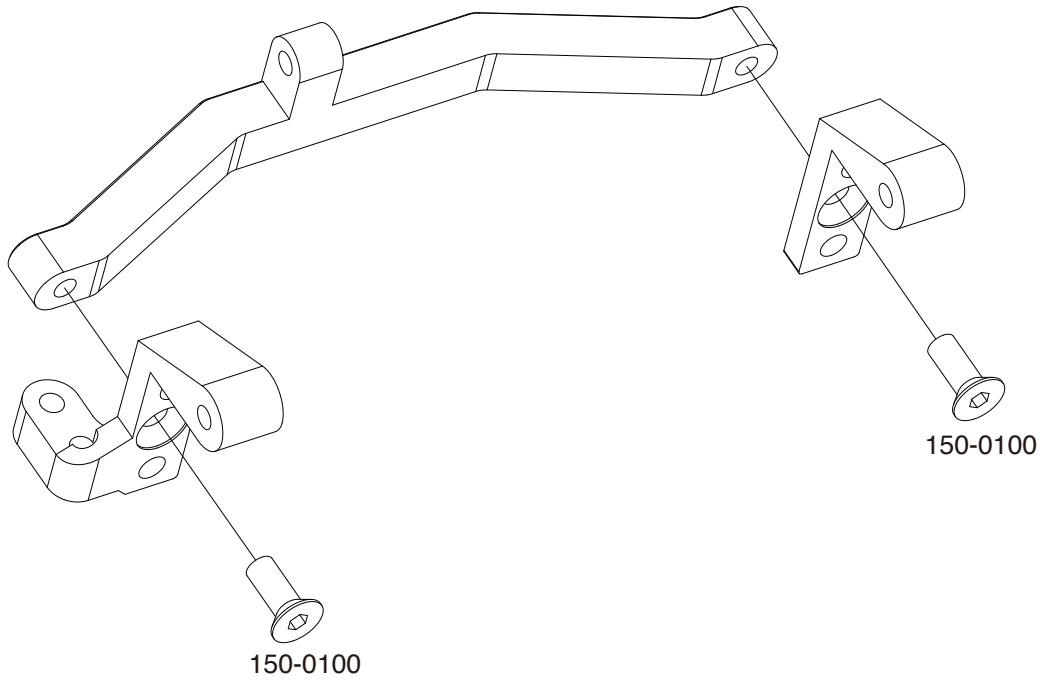
RC4WD

Step 1



X2

150-0100
M3 x 8mm FHCS



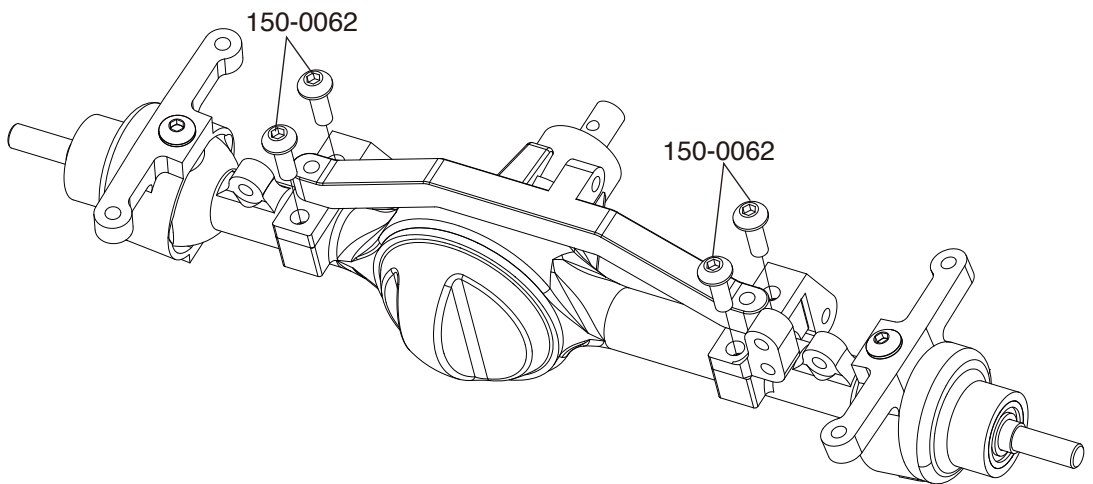
RC4WD

Step 2




X4

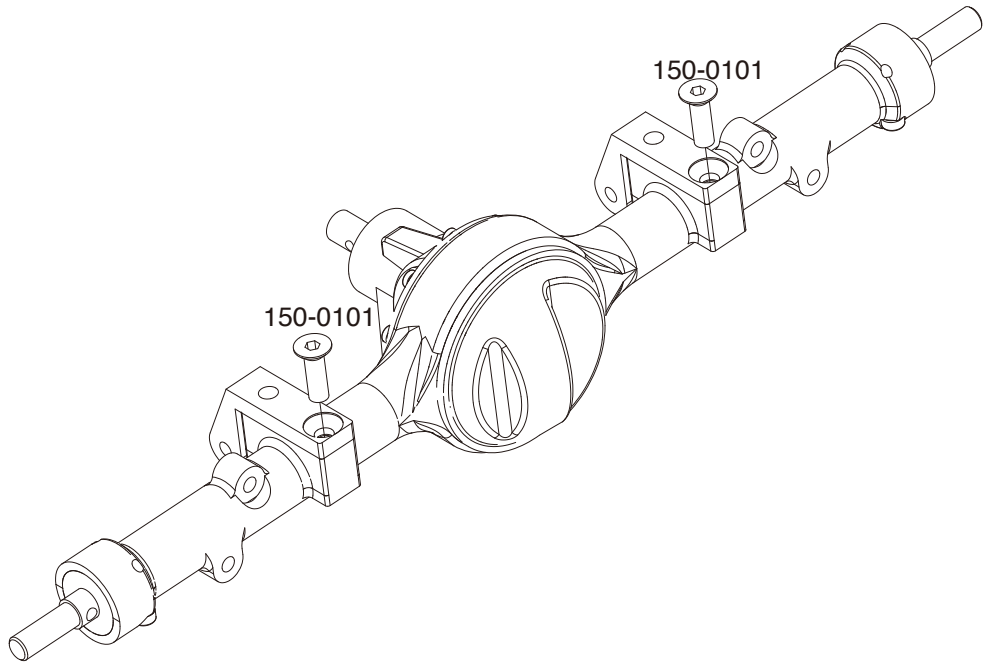
150-0062
M3 x 8mm BHCS



RC4WD


Step 3

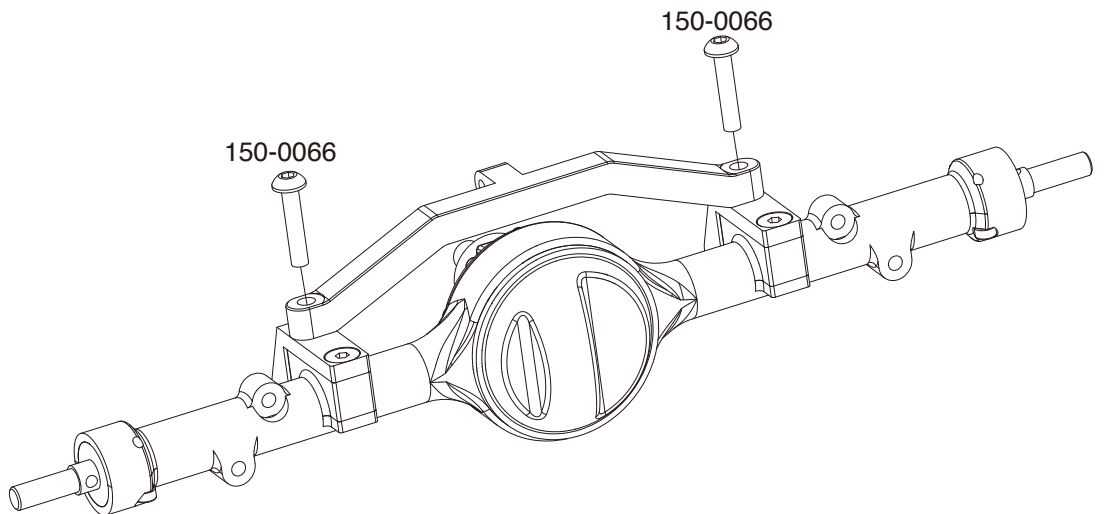
 X2
150-0101
M3 x 10mm FHCS



RC4WD

Step 4

 X2
150-0066
M3 x 14mm BHCS

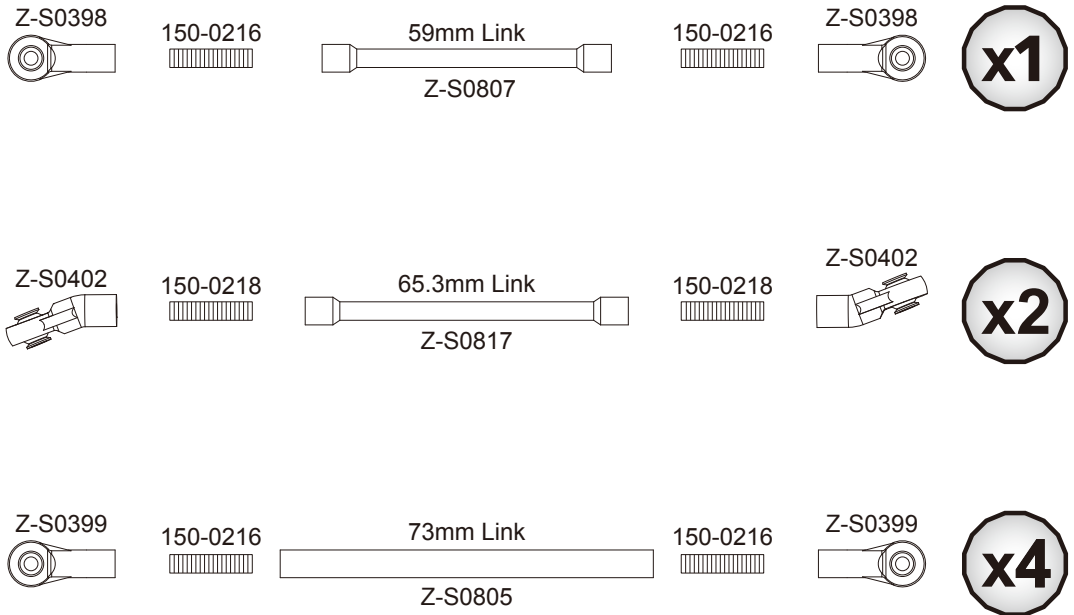


RC4WD

Step 5

 X4
150-0218
M3 x 10mm
Set Screw

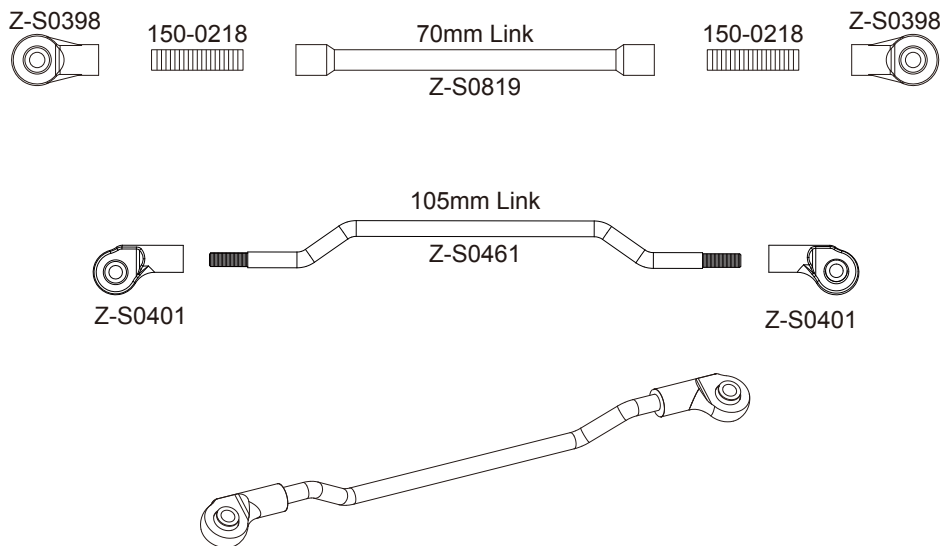
 X10
150-0216
M3 x 15mm
Set Screw




RC4WD

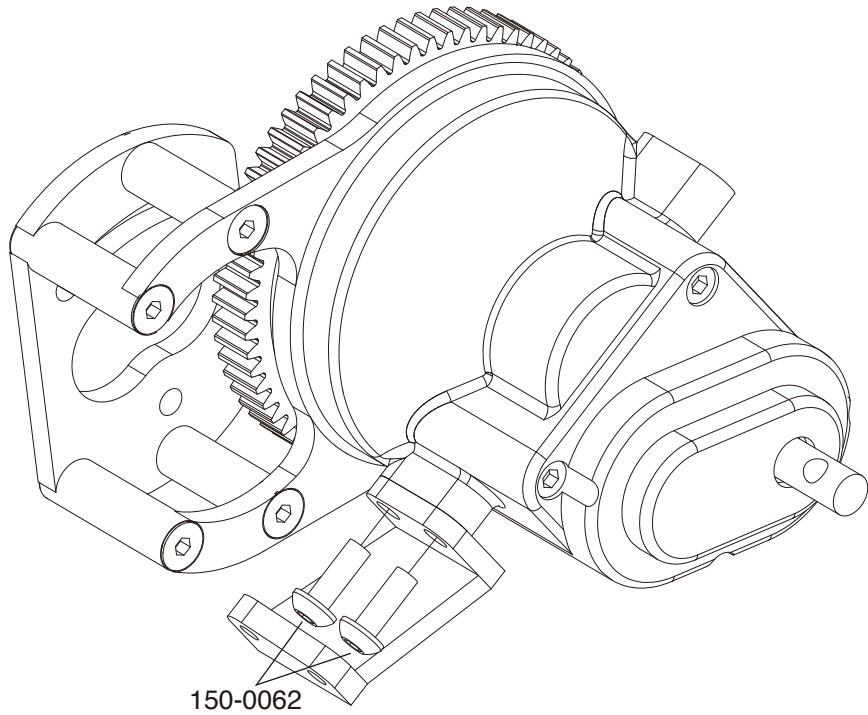
Step 6

 X4
150-0218
M3 x 10mm
Set Screw




RC4WD
Step 7

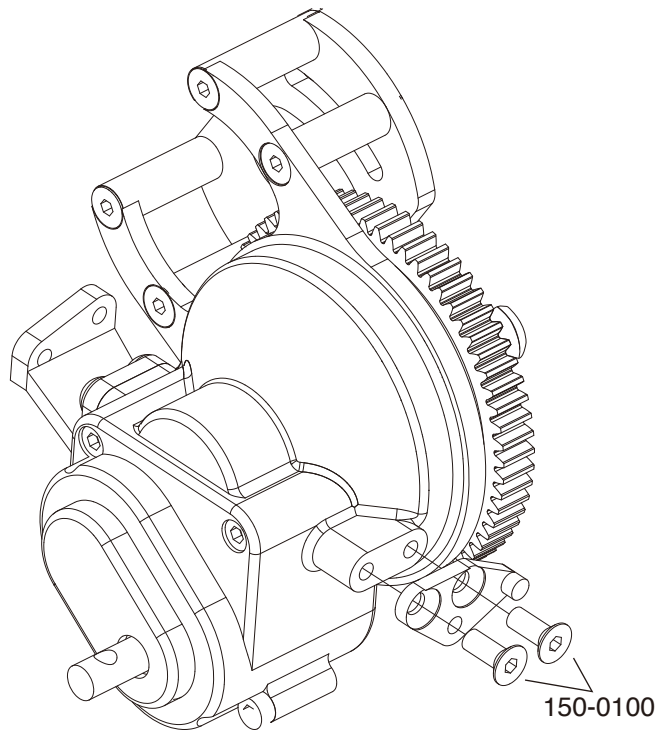
 X2
150-0062
M3 x 8mm BHCS



150-0062

RC4WD
Step 8

 X2
150-0100
M3 x 8mm FHCS



150-0100



RC4WD

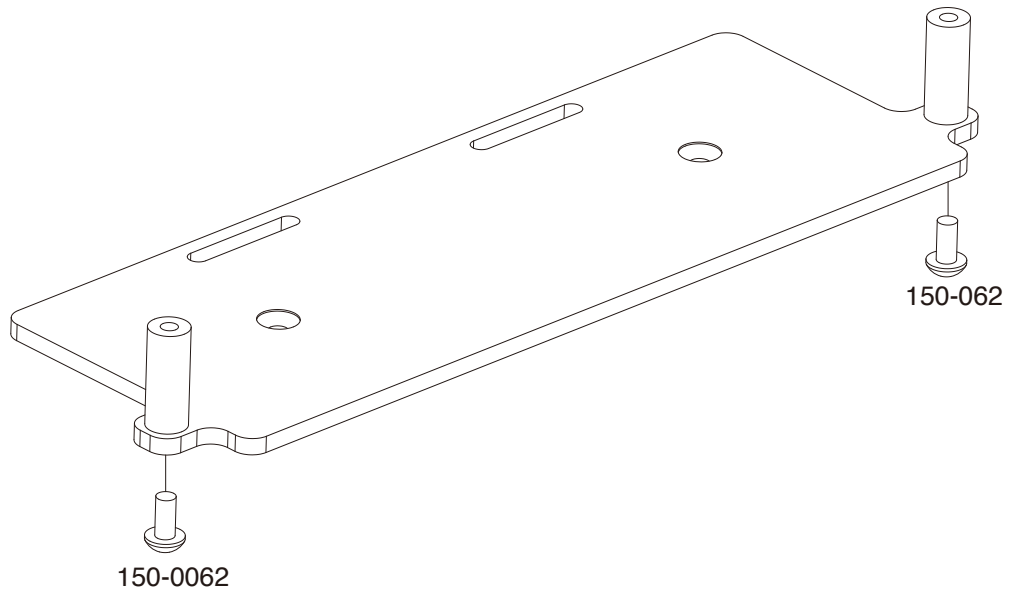
Step 9



X2

150-0062

M3 x 8mm BHCS



RC4WD

Step 10



X4

150-0064

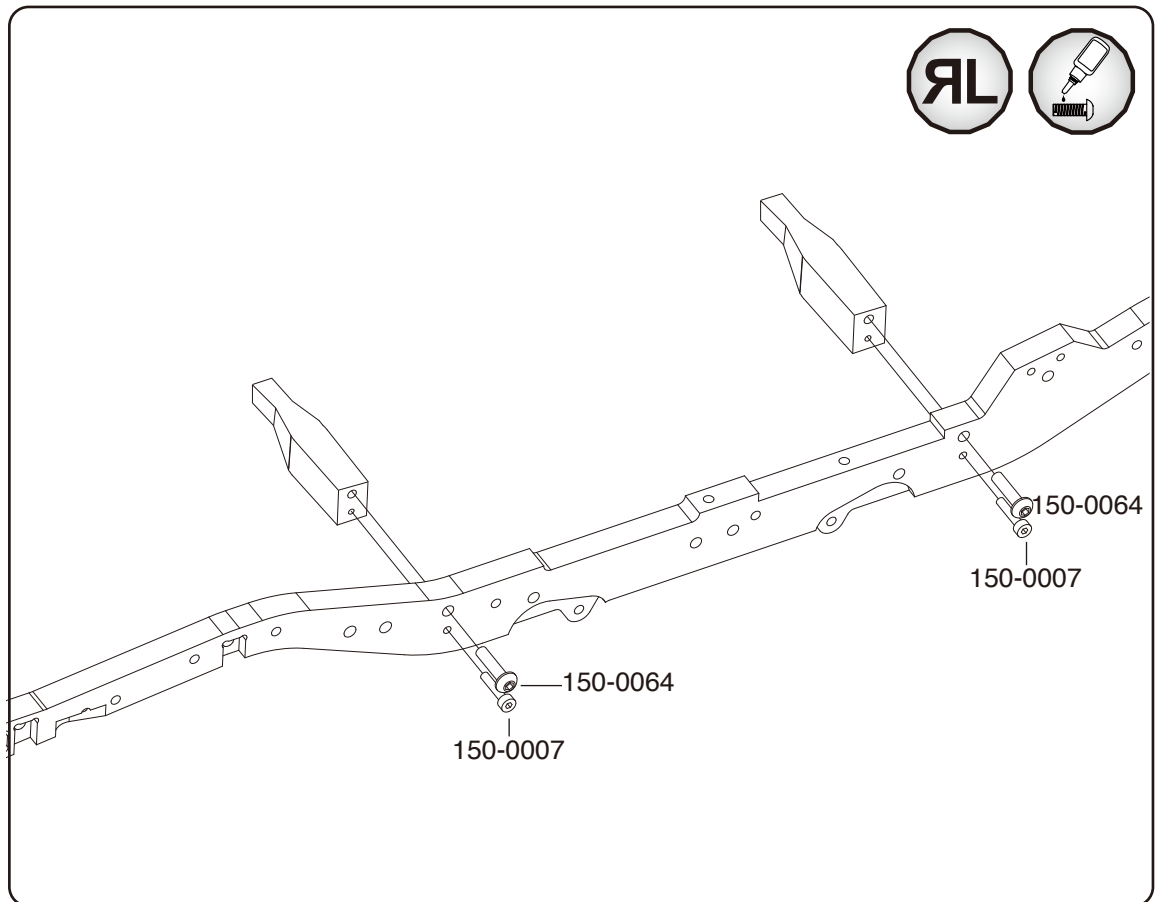
M3 x 12mm BHCS



X4

150-0007

M2 x 10mm SHCS



RC4WD

Step 11



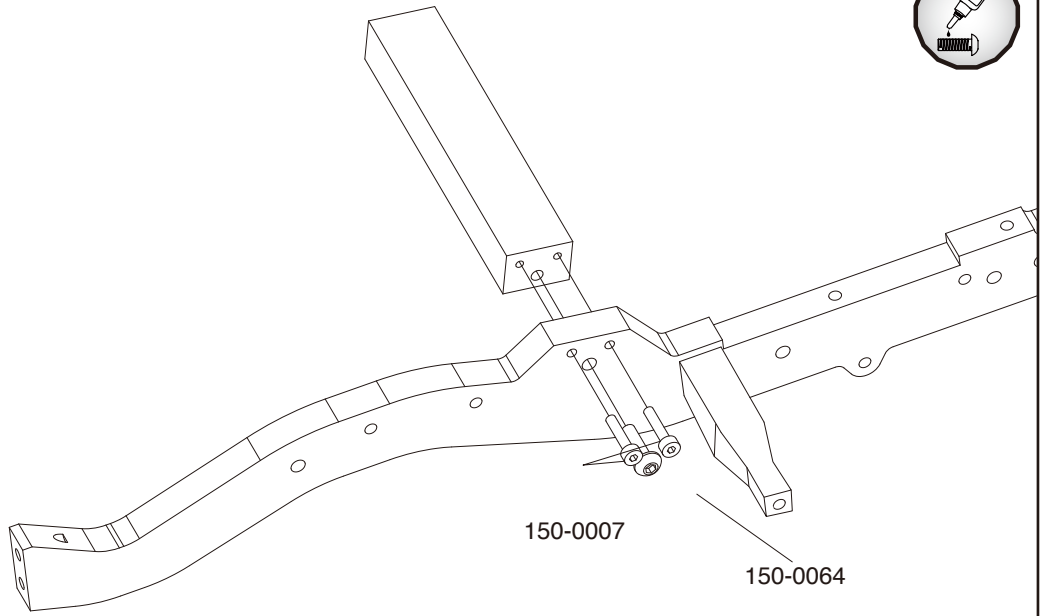
X2

150-0007
M2 x 10mm SHCS



X1

150-0064
M3 x 12mm BHCS



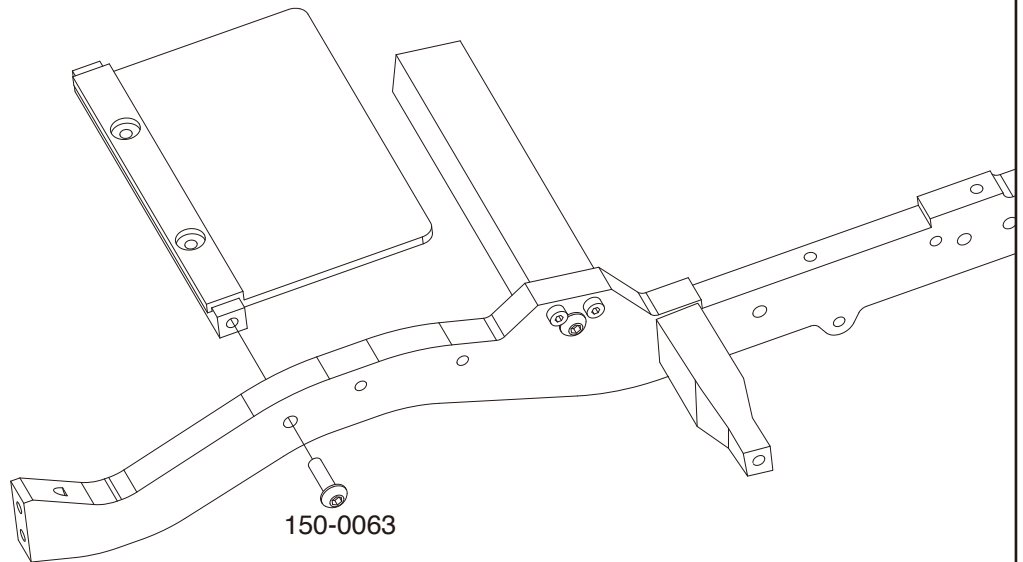
RC4WD

Step 12




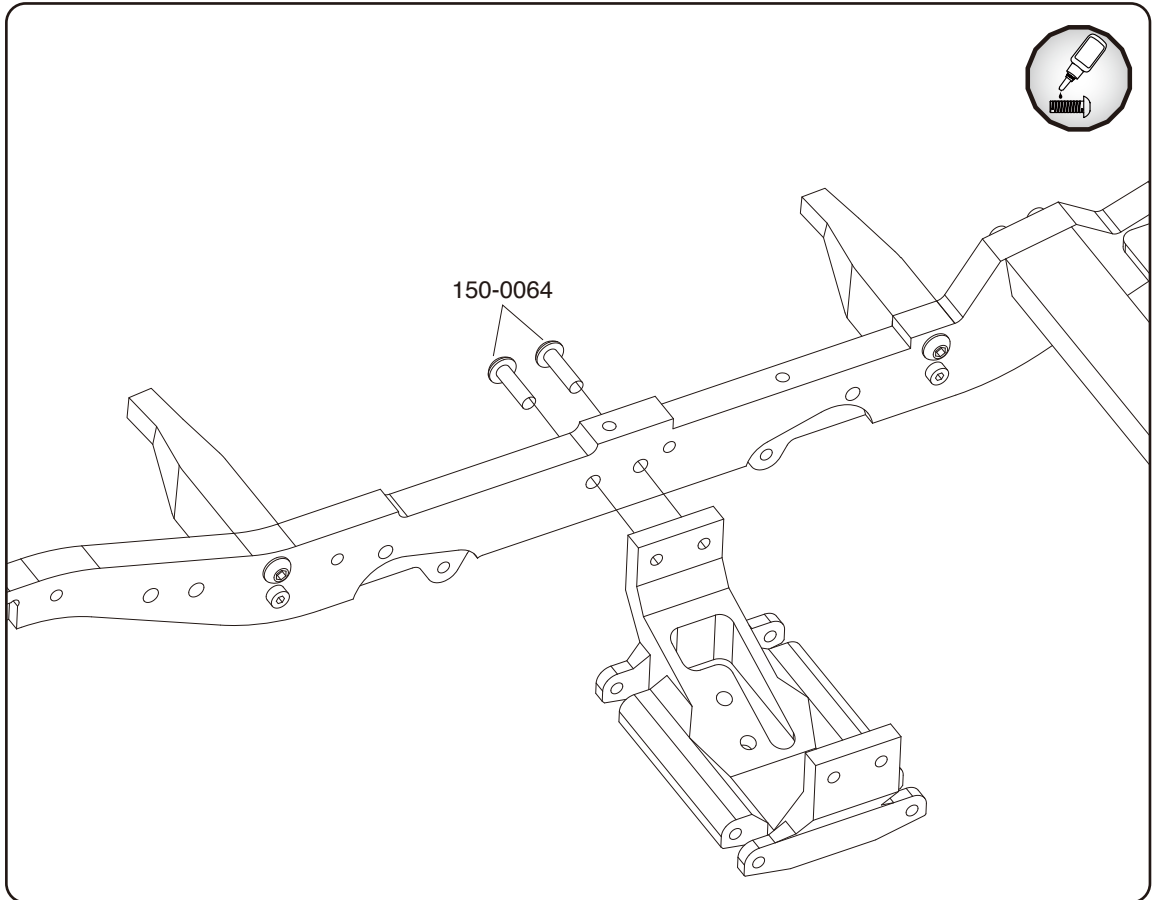
X1

150-0063
M3 x 10mm BHCS




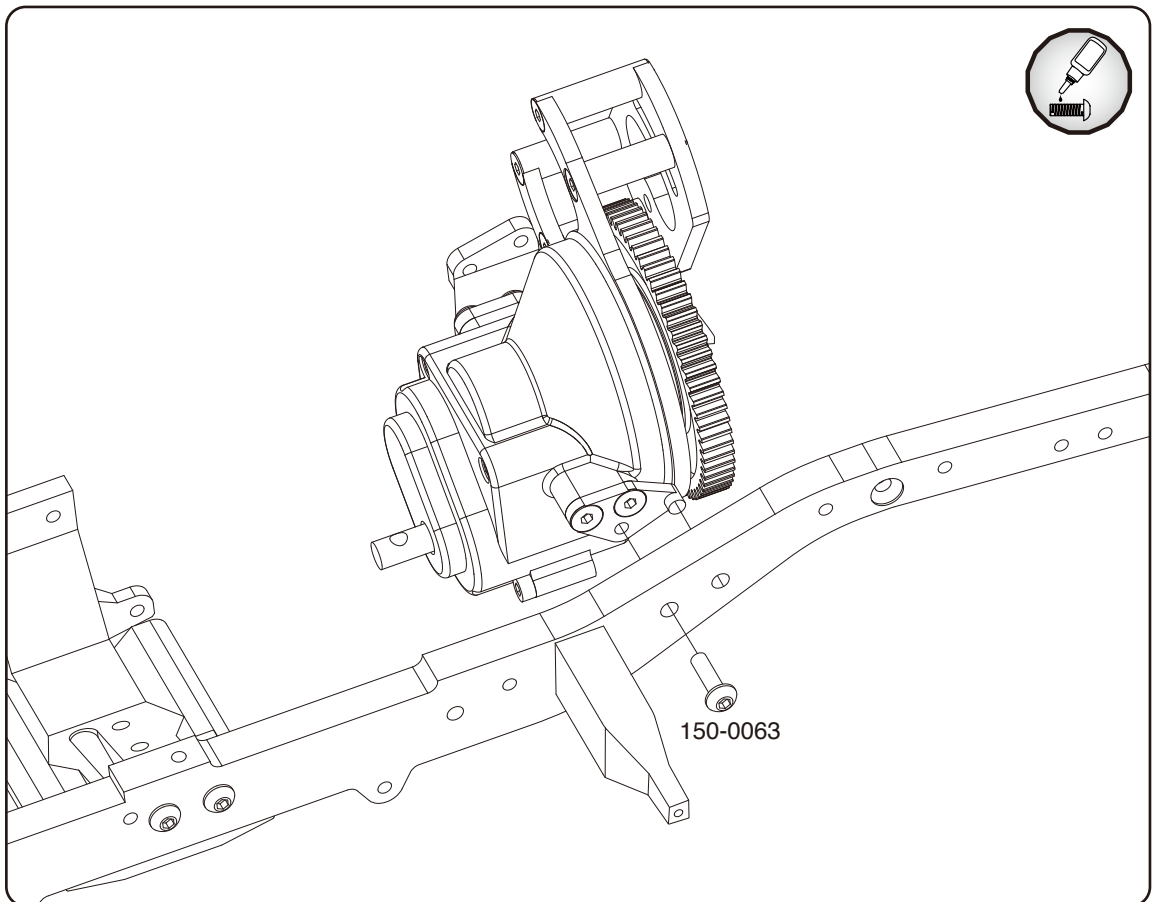
RC4WD
Step 13

 X2
150-0064
M3 x 12mm BHCS




RC4WD
Step 14


 X1
150-0063
M3 x 10mm BHCS




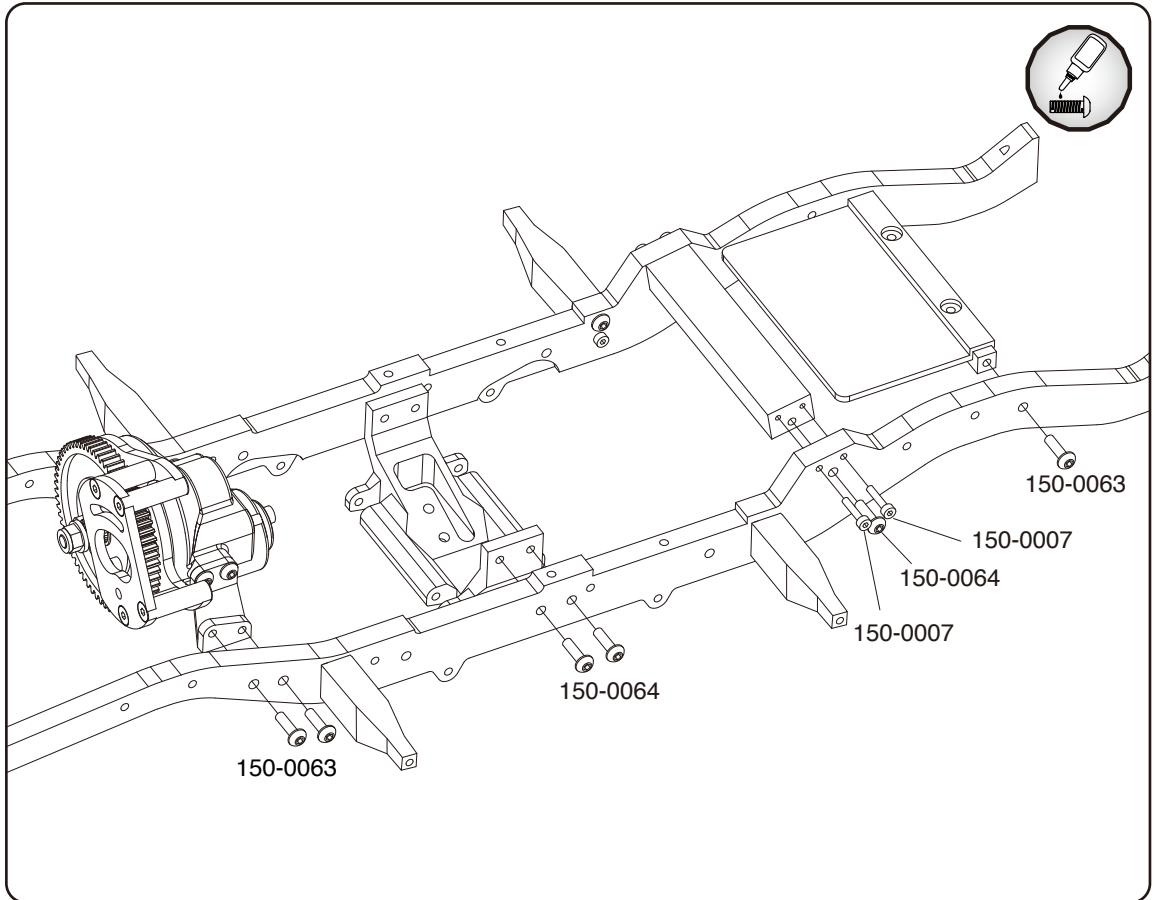
RC4WD

Step 15

 X3
150-0063
M3 x 10mm BHCS


 X3
150-0064
M3 x 12mm BHCS

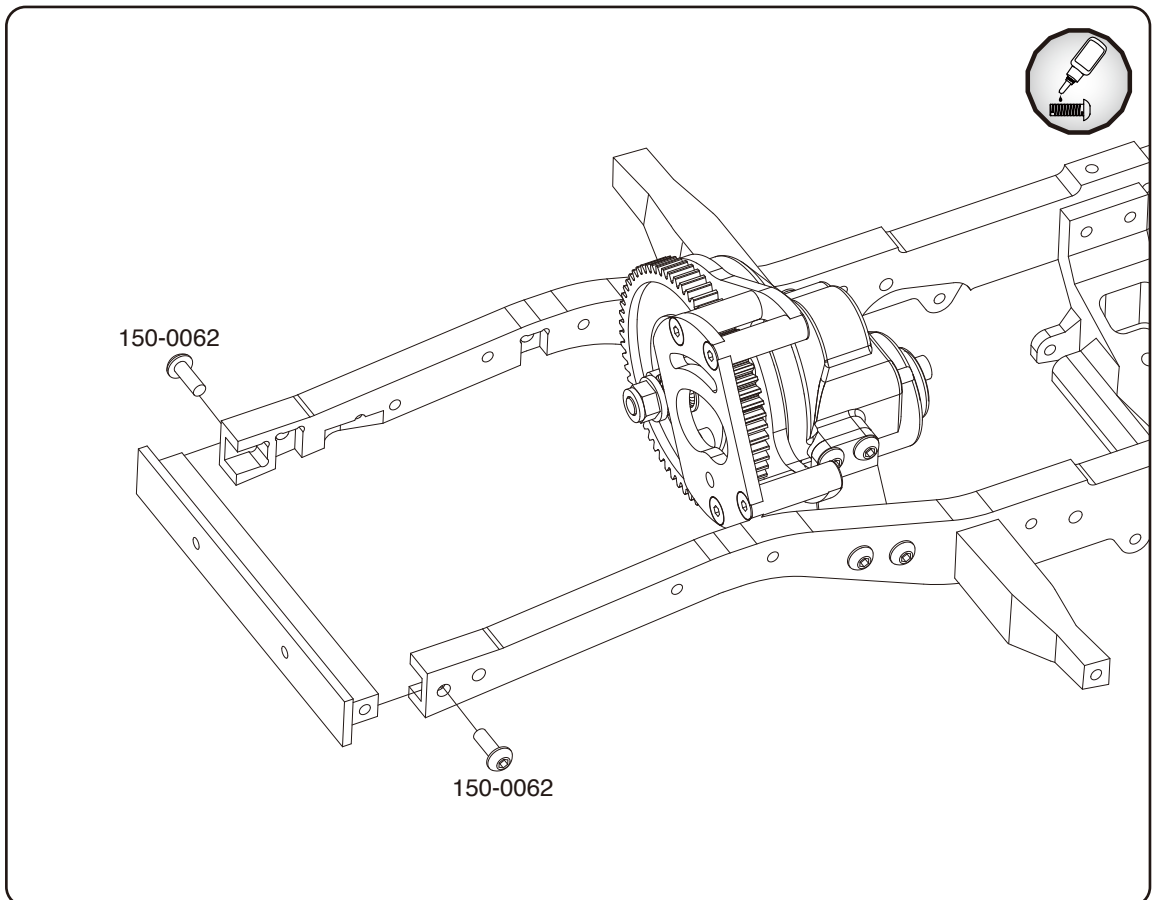
 X2
150-0007
M2 x 10mm SHCS



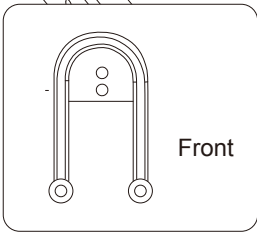
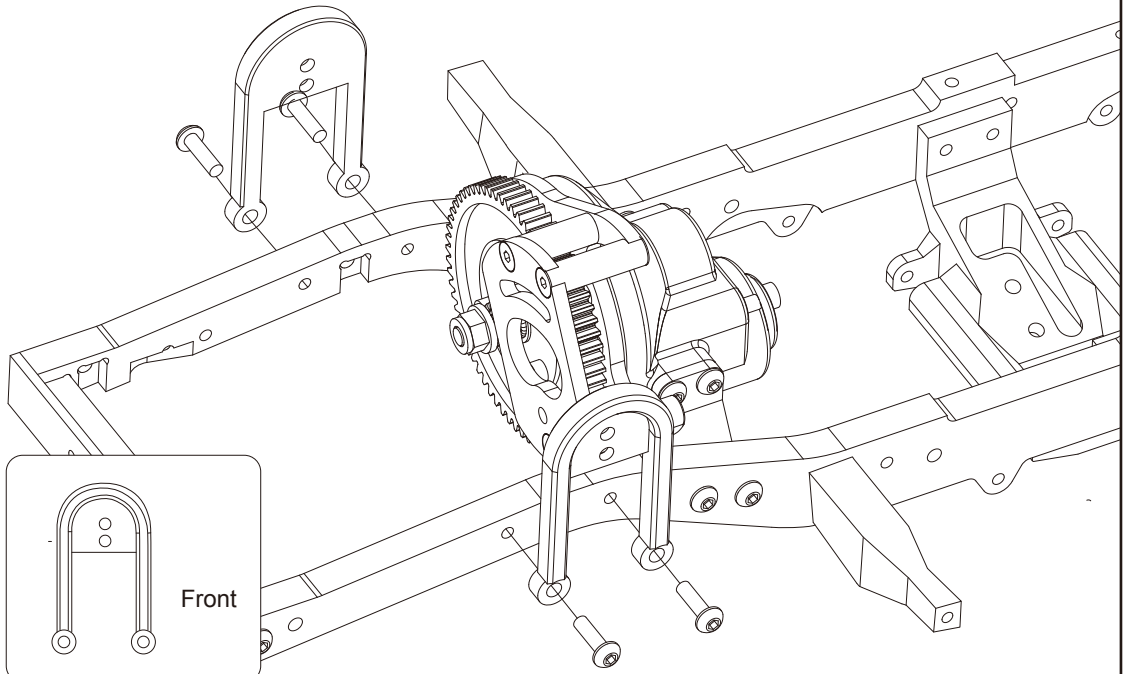
RC4WD

Step 16

 X2
150-0062
M3 x 8mm BHCS




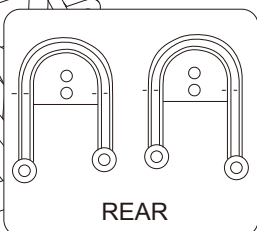
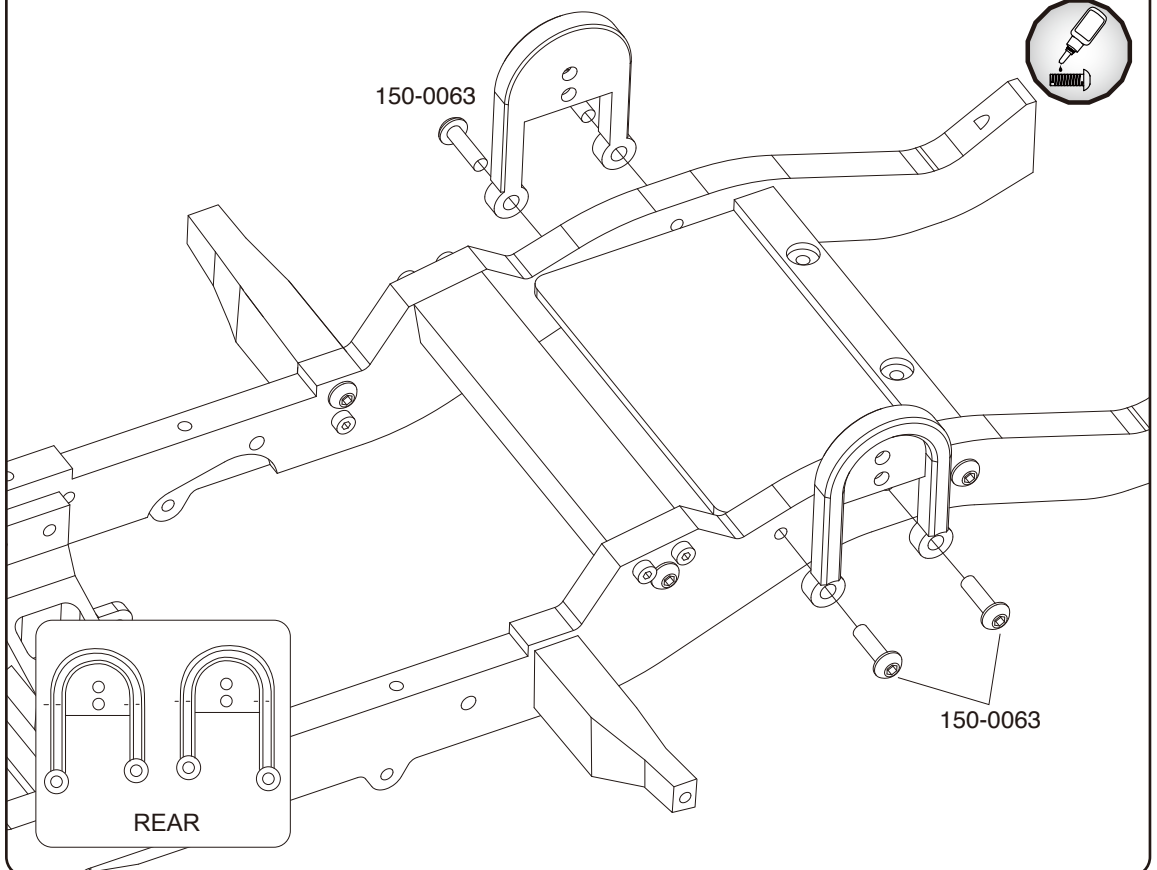
RC4WD
Step 17



RC4WD
Step 18





 X4
150-0063
M3 x 10mm BHCS

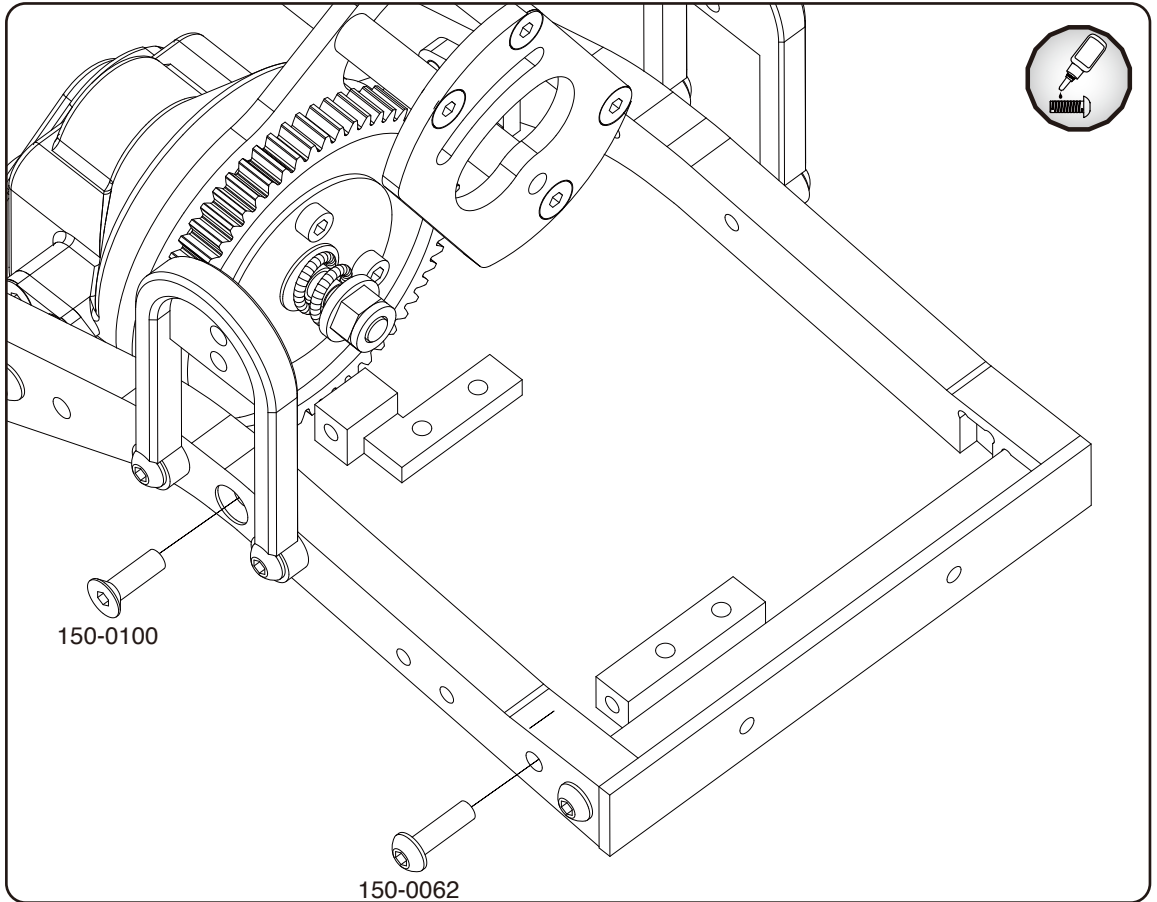


RC4WD

Step 19


 X1
150-0062
M3 x 8mm BHCS

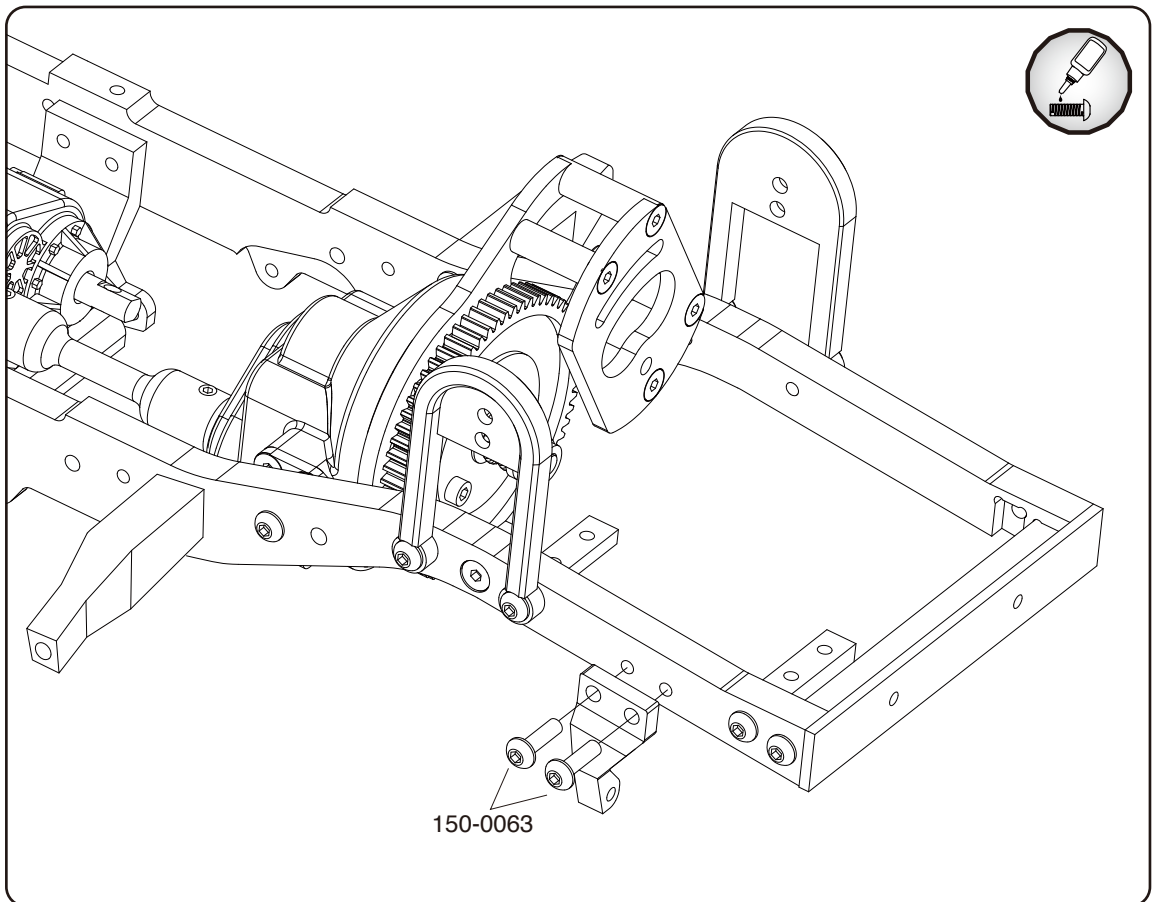
 X1
150-0100
M3 x 8mm FHCS



RC4WD

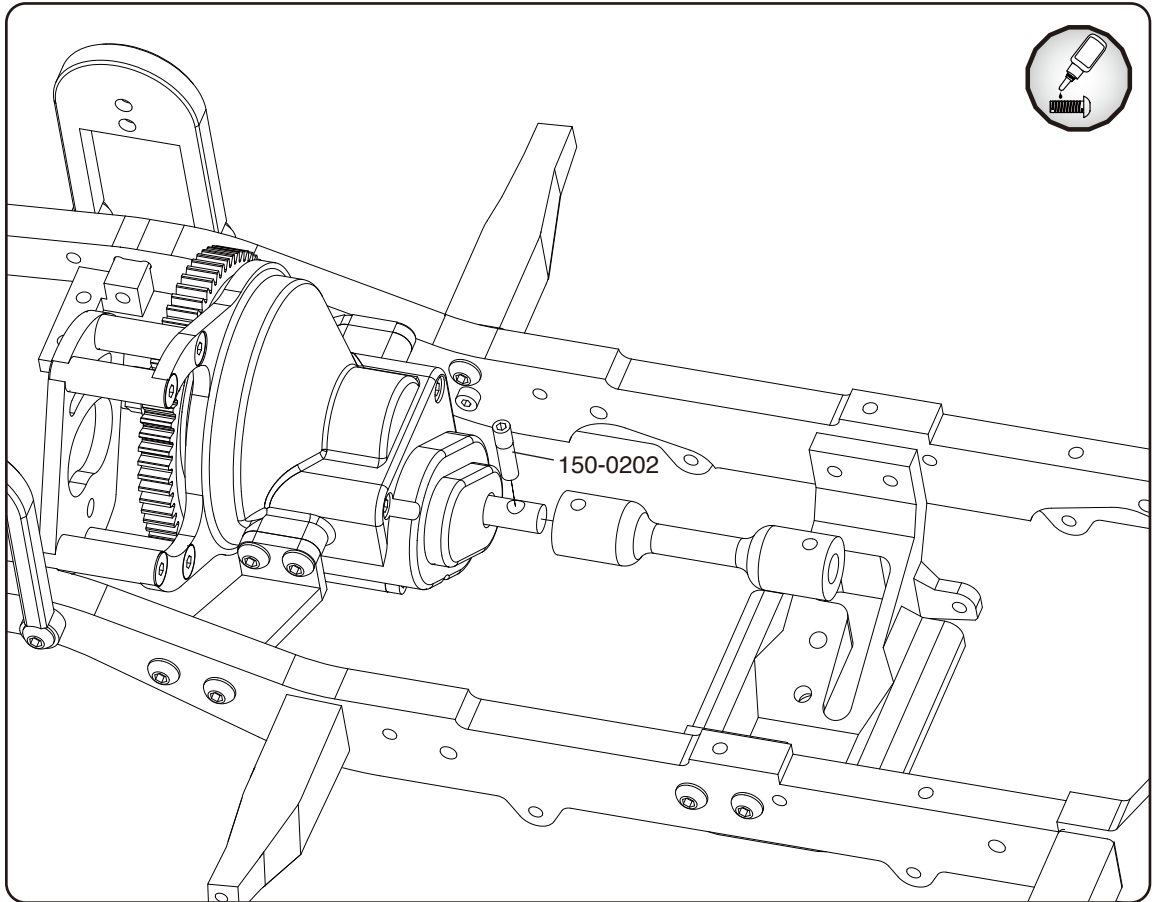
Step 20

 X2
150-0063
M3 x 10mm BHCS

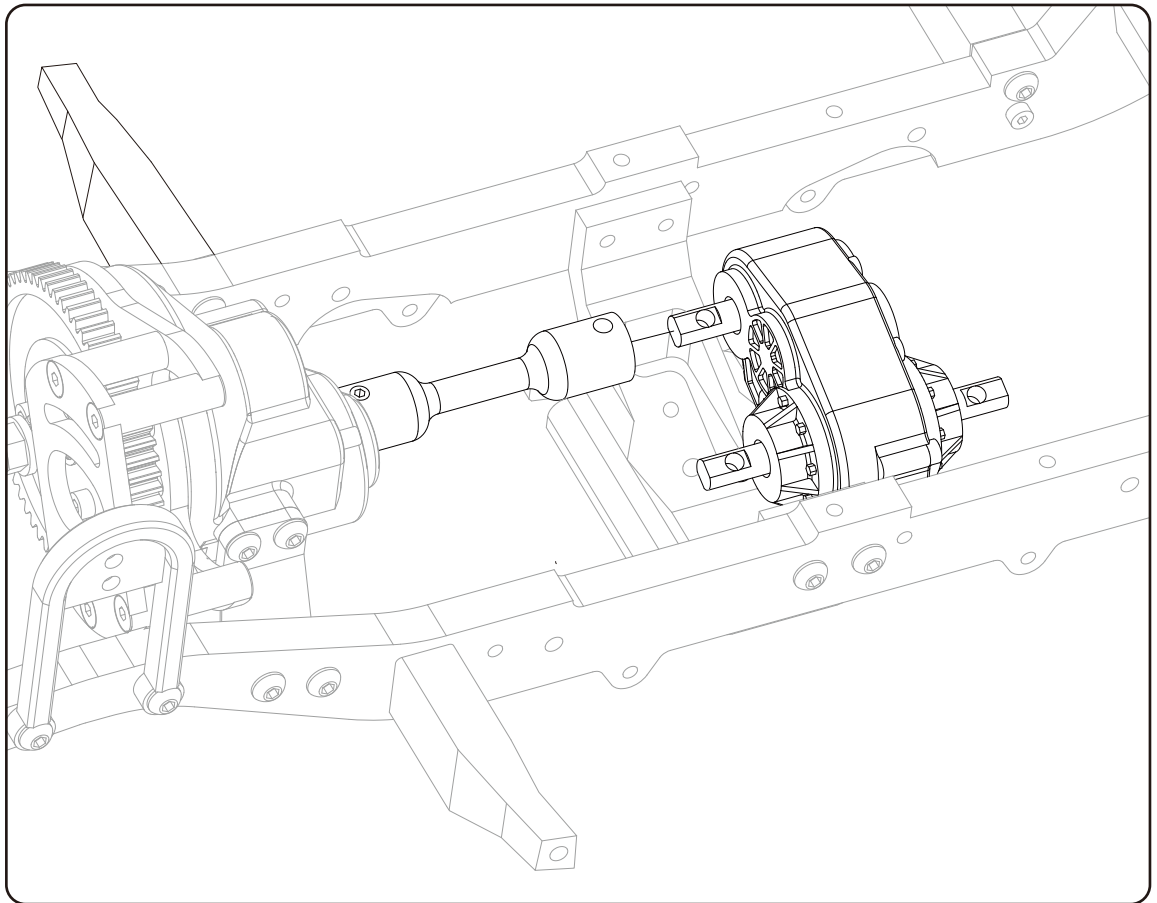


RC4WD
Step 21

 X1
150-0202
M3 Drive Shaft Pin





RC4WD
Step 22

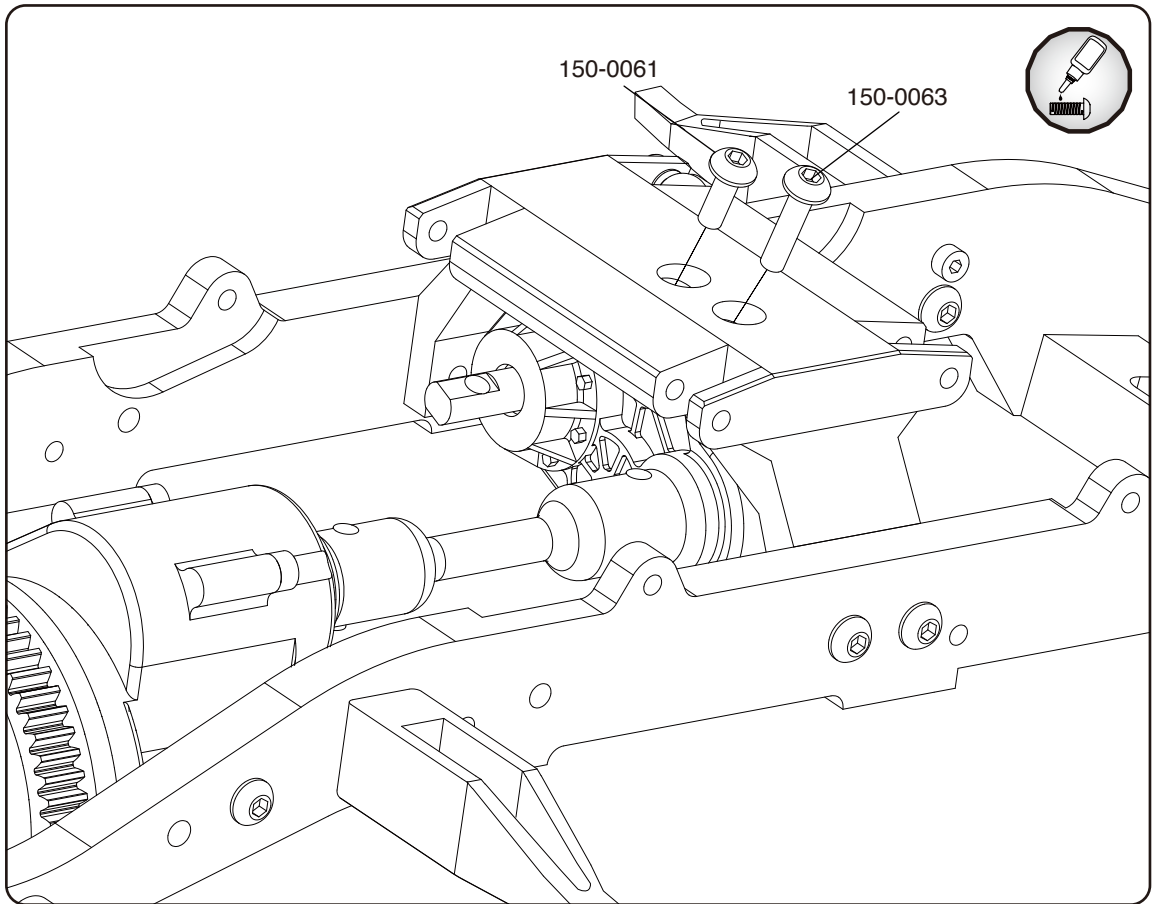


RC4WD

Step 23

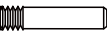
 X1
150-0061
M3 x 6mm BHCS

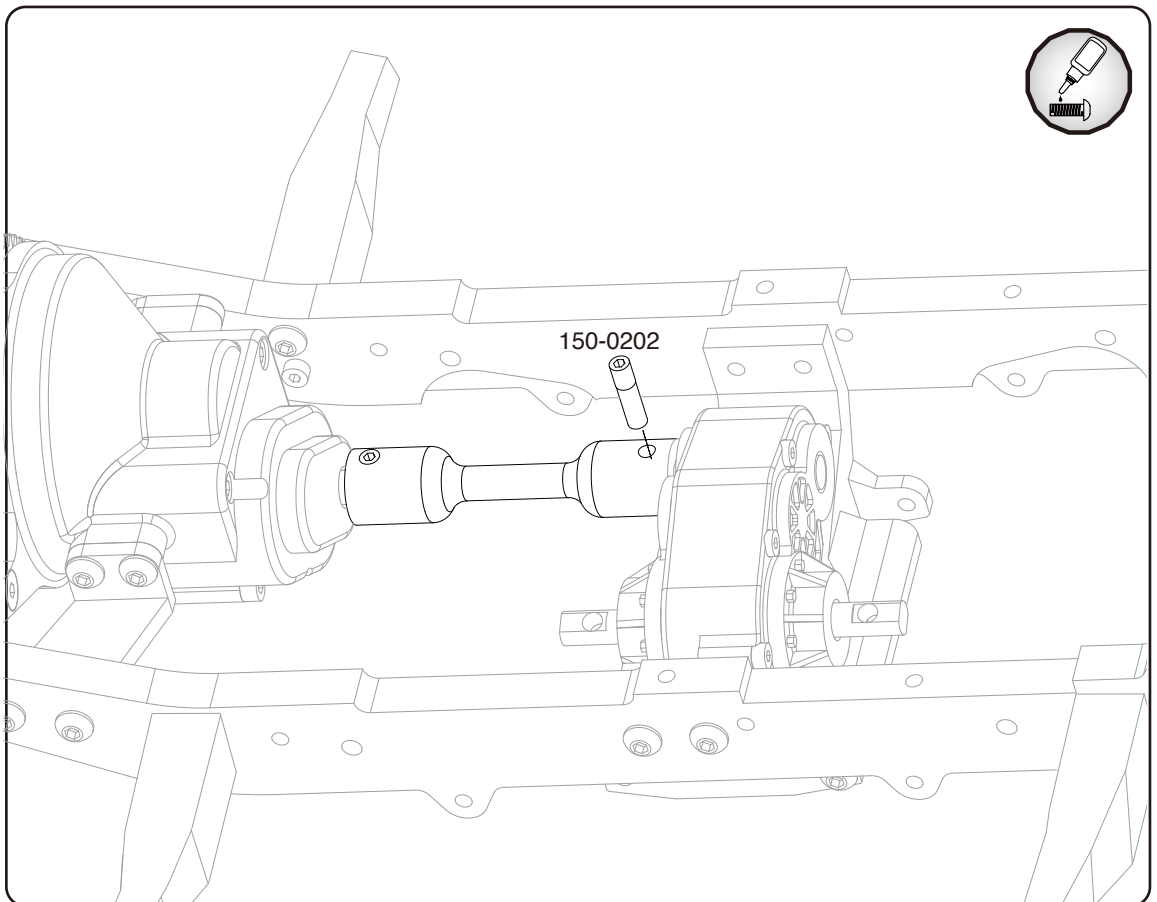
 X1
150-0063
M3 x 10mm BHCS




RC4WD

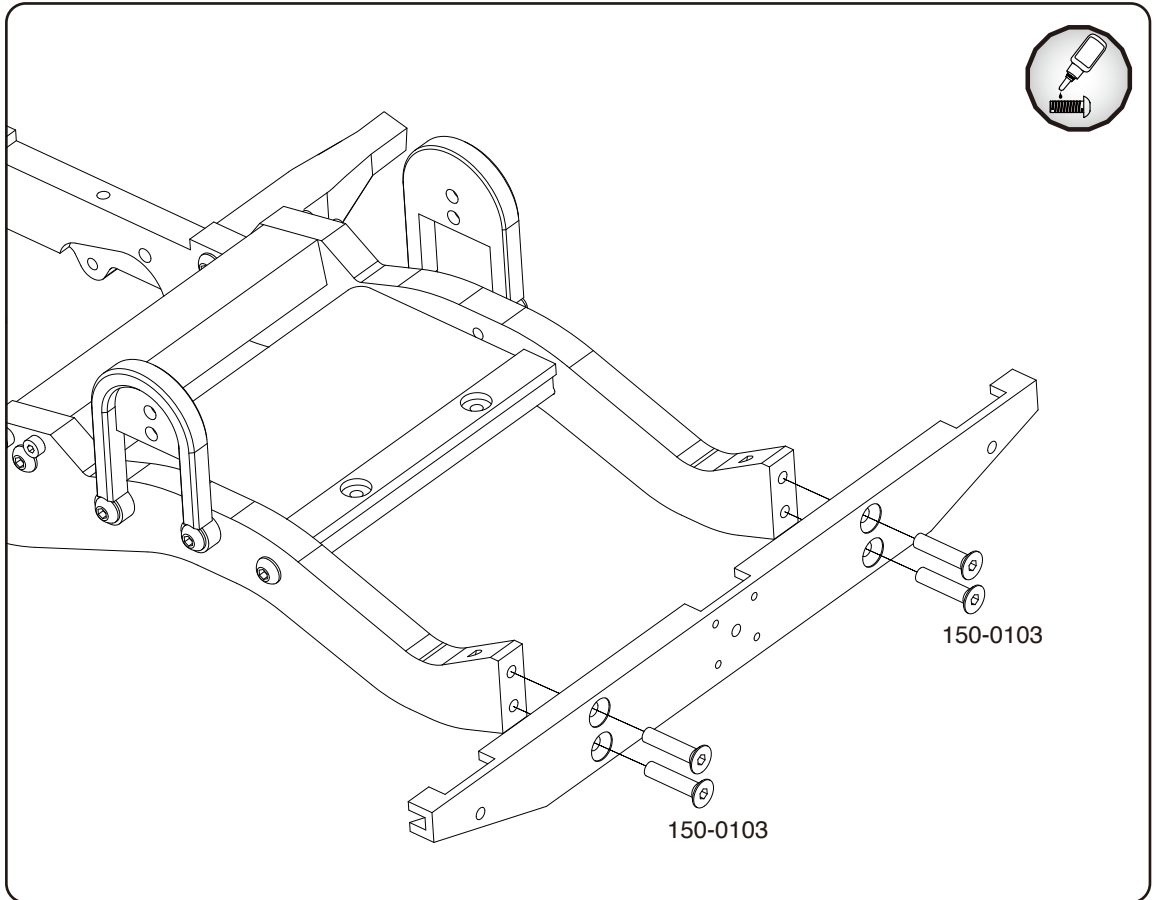
Step 24

 X1
150-0202
M3 Drive Shaft Pin




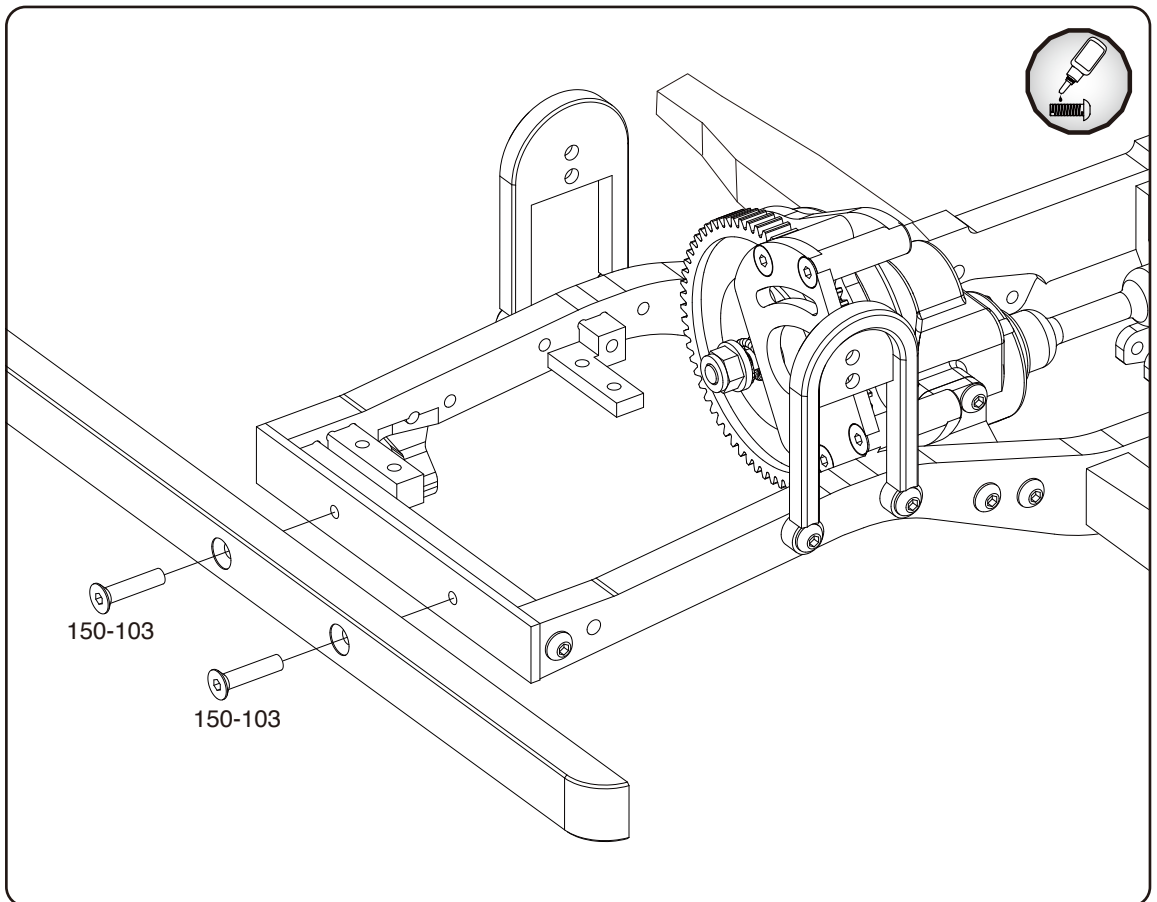
RC4WD
Step 25

 X4
150-0103
M3 x 14mm FHCS



RC4WD
Step 26


 X2
150-0103
M3 x 14mm FHCS

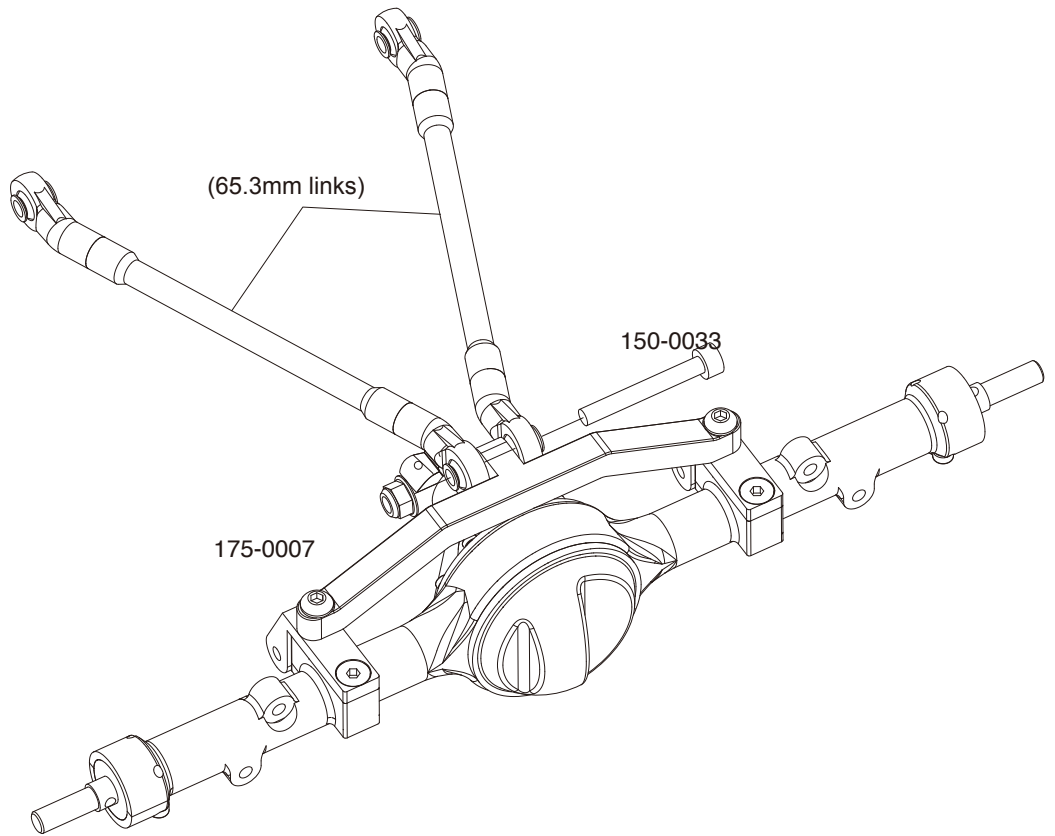


RC4WD

Step 27


 X1
175-0007
M3 Black Lock Nut

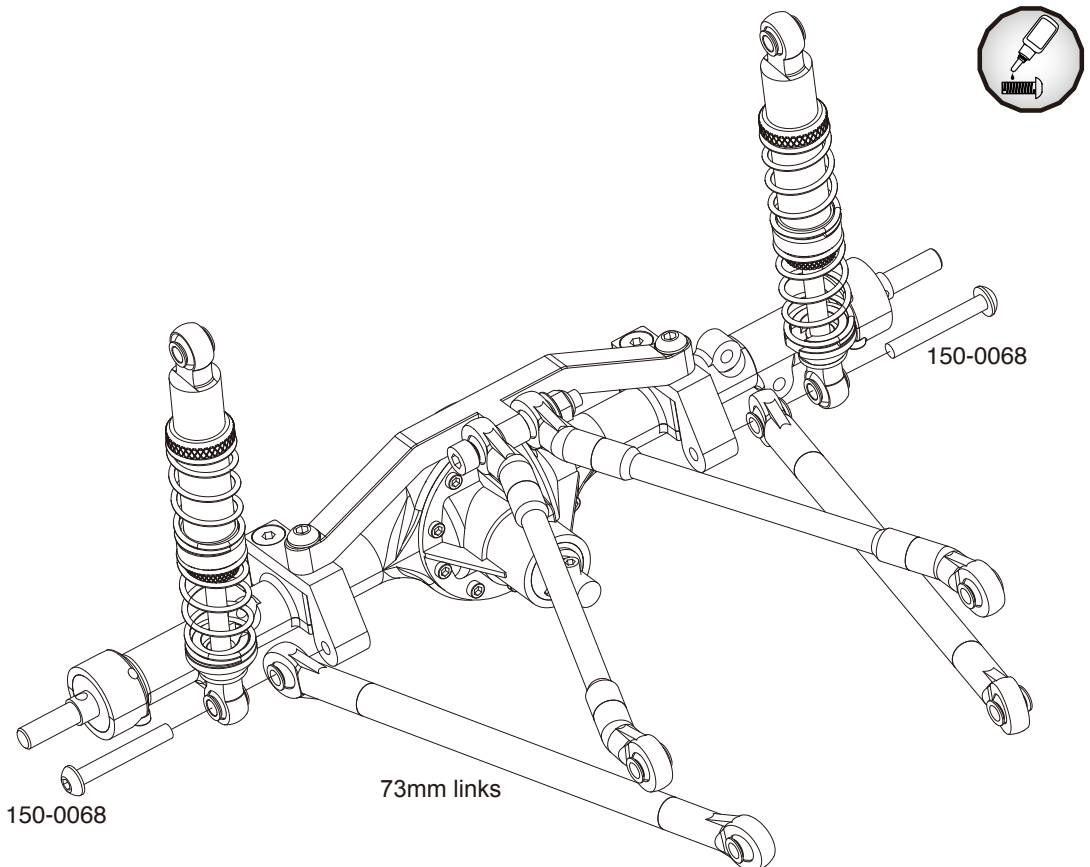
 X1
150-0033
M3 x 25mm SHCS




RC4WD


Step 28

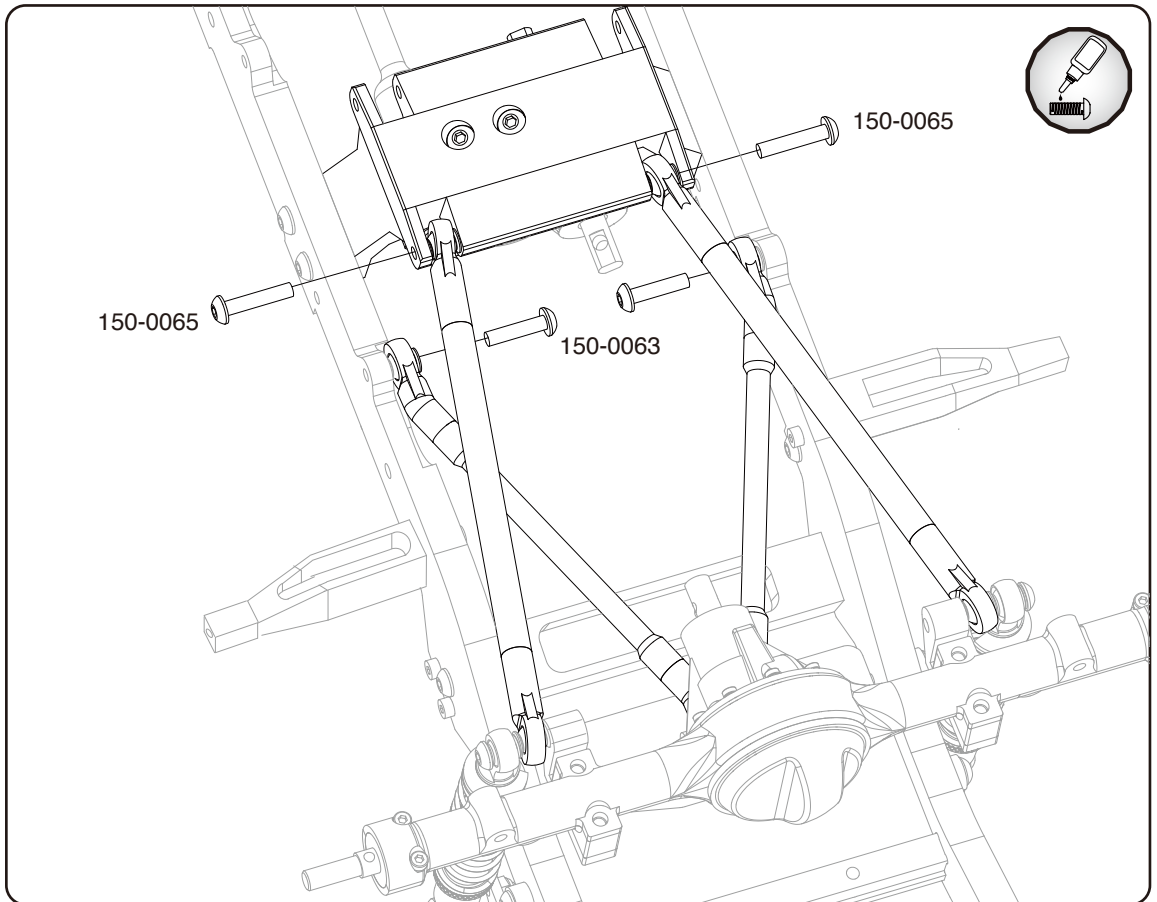
 X2
150-0068
M3 x 16mm BHCS




RC4WD
Step 29

 X2
150-0063
M3 x 10mm BHCS

 X2
150-0065
M3 x 14mm BHCS

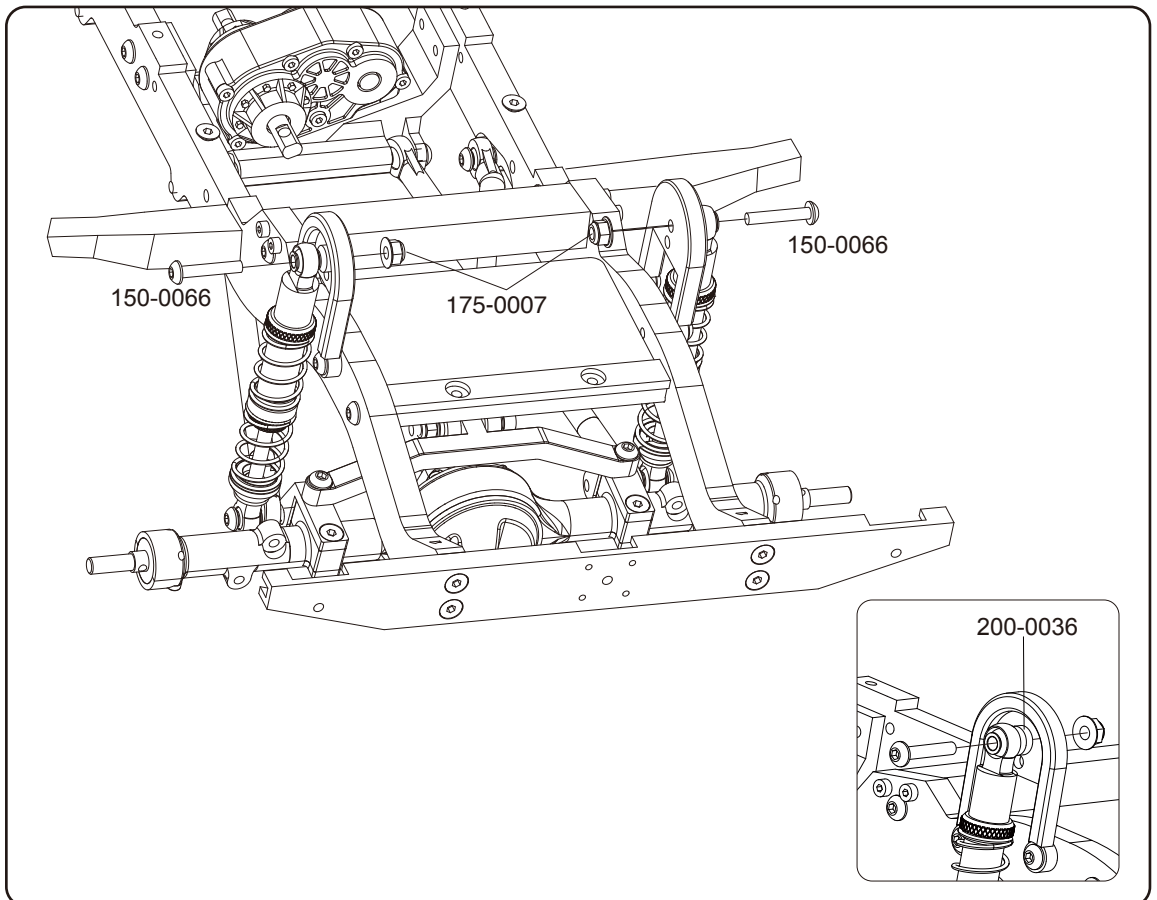


RC4WD
Step 30


 X2
150-0066
M3 x 16mm BHCS

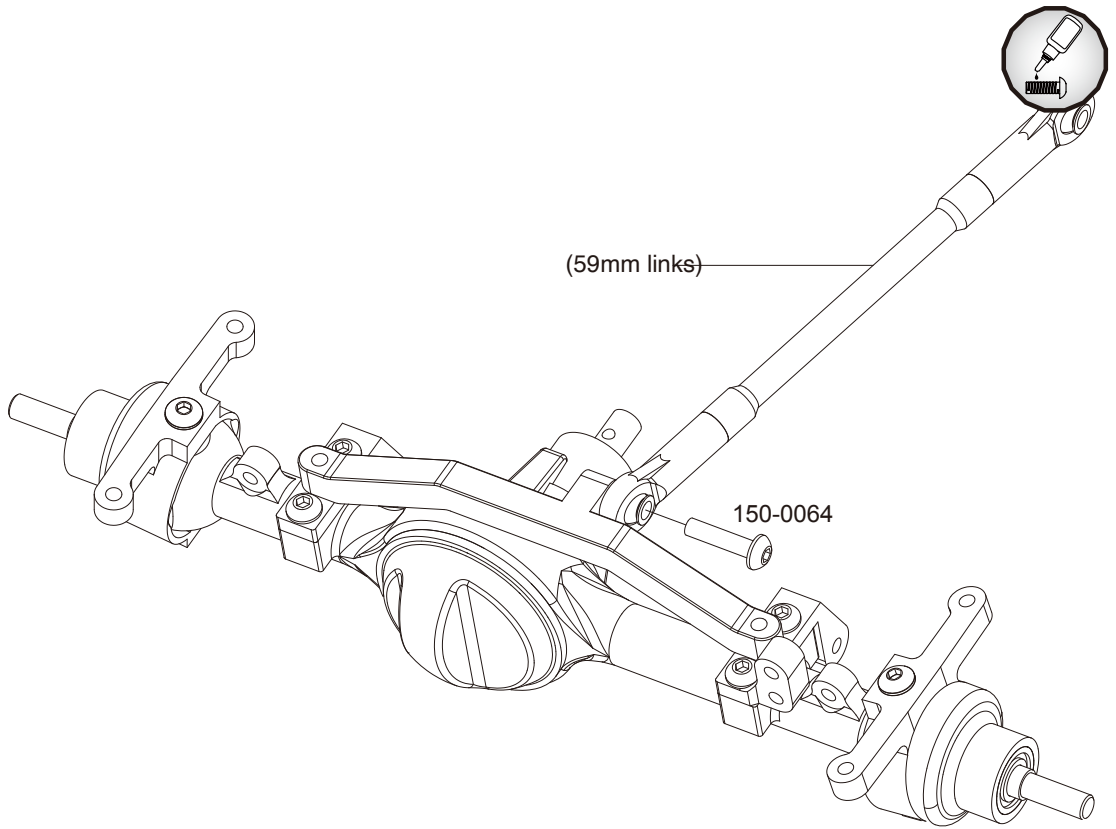
 X2
175-0007
M3 Black Lock Nut

 X2
200-0036
M3 X 3mm Spacer




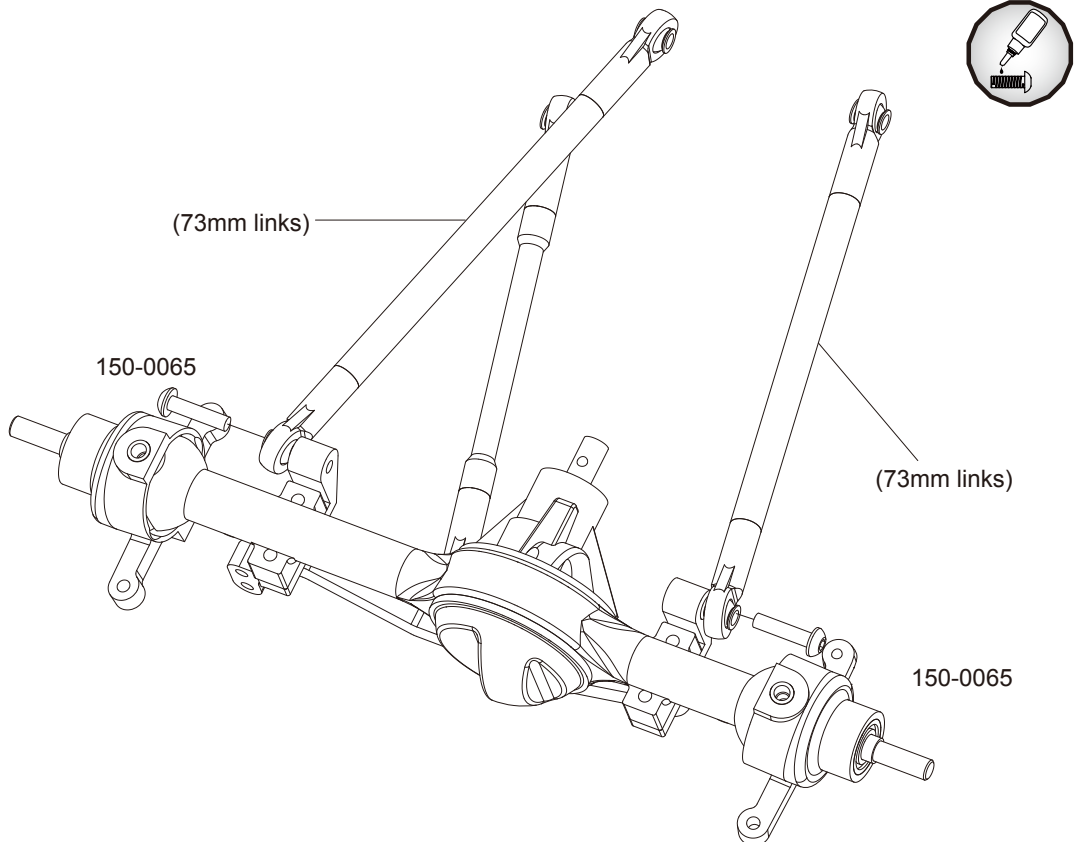
RC4WD
Step 31

 X1
150-0064
M3 x 12mm BHCS





RC4WD
Step 32

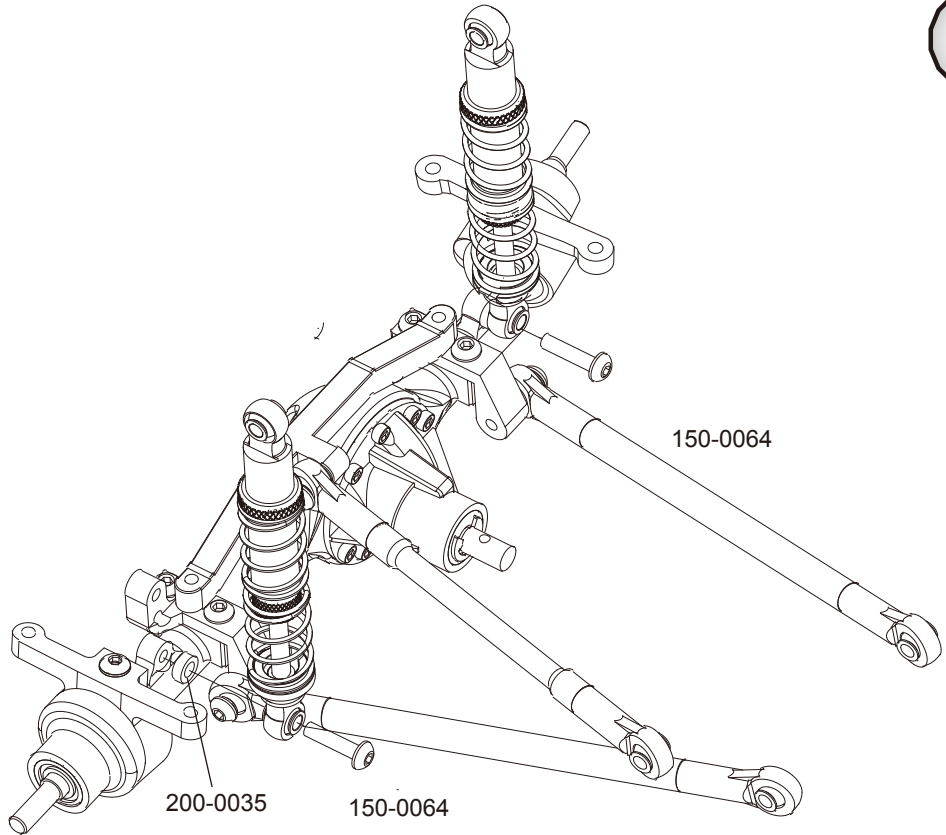
 X2
150-0065
M3 x 14mm BHCS




RC4WD
Step 33

 X2
150-0064
M3 x 12mm BHCS

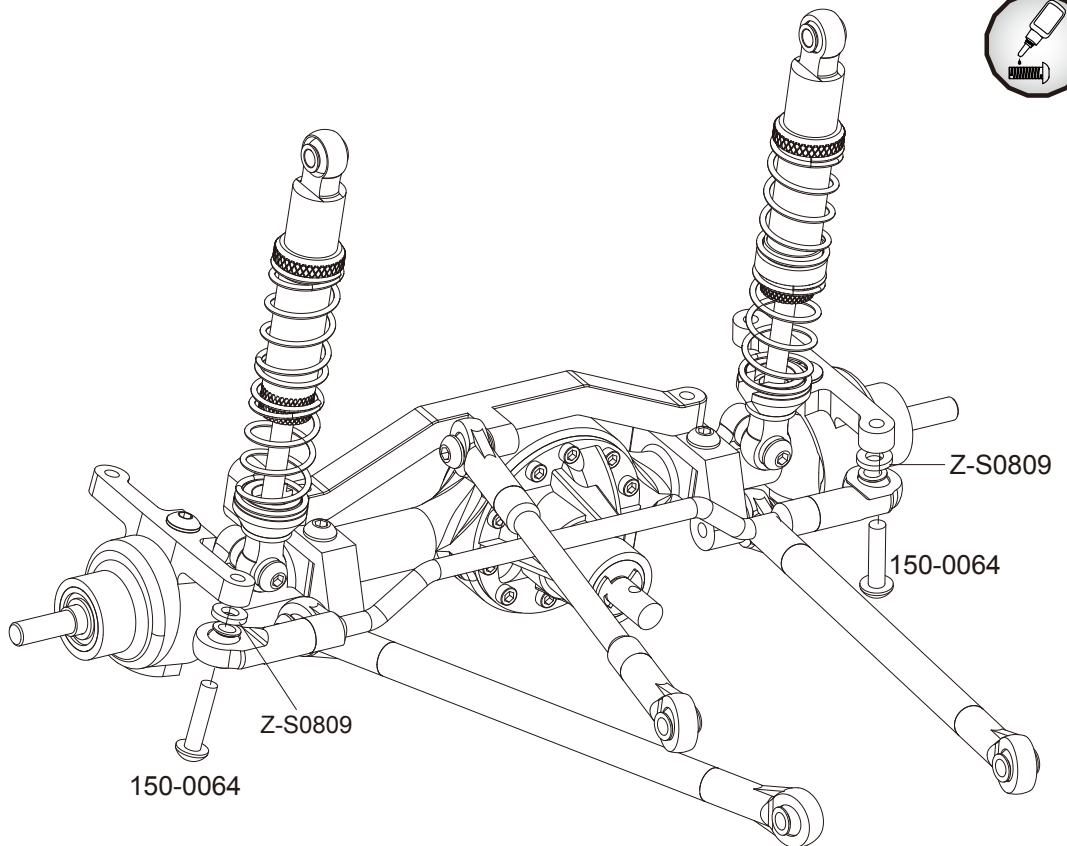
 X2
200-0035
M3 X 2mm Spacer



RC4WD
Step 34


 X2
150-0064
M3 x 12mm BHCS


 X2
Z-S0809
M3 X 1mm Spacer

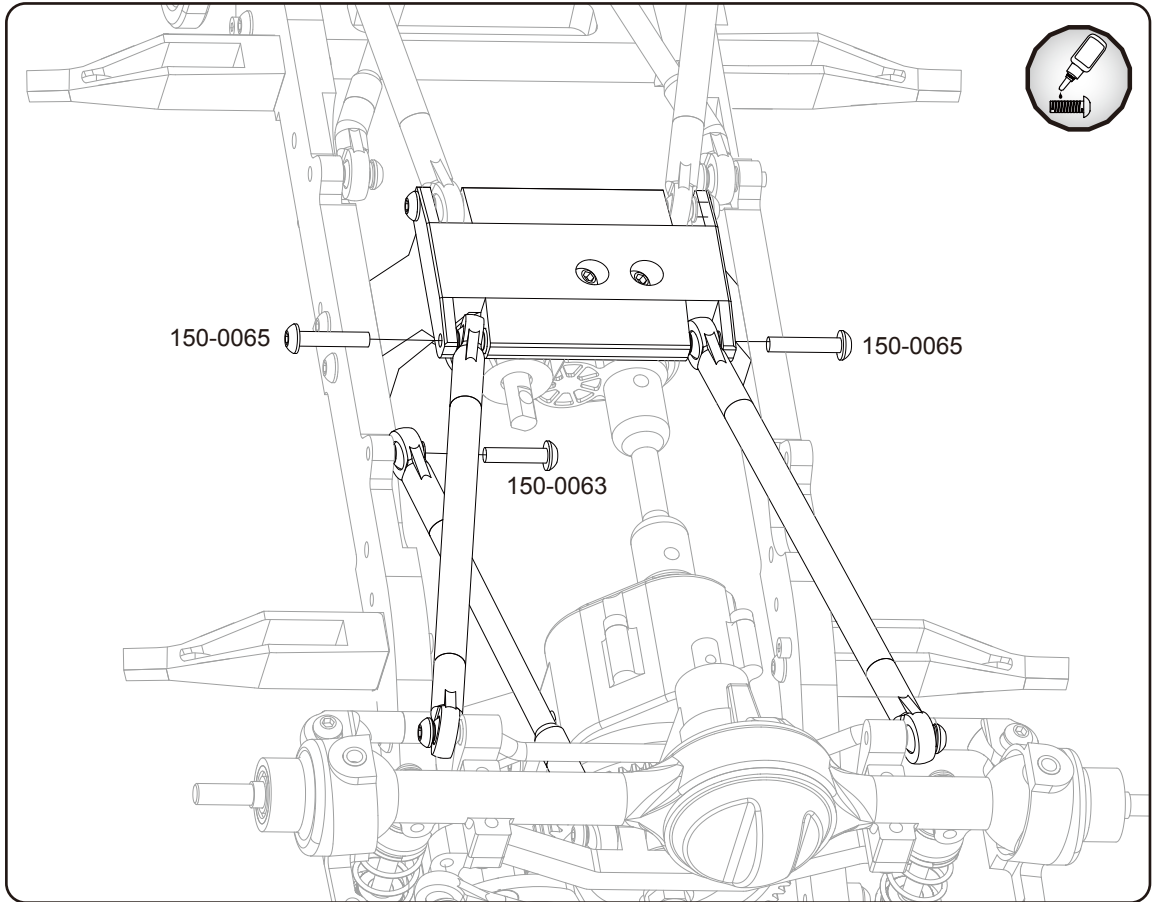


RC4WD

Step 35


 X1
150-0063
M3 x 10mm BHCS

 X2
150-0065
M3 x 14mm BHCS



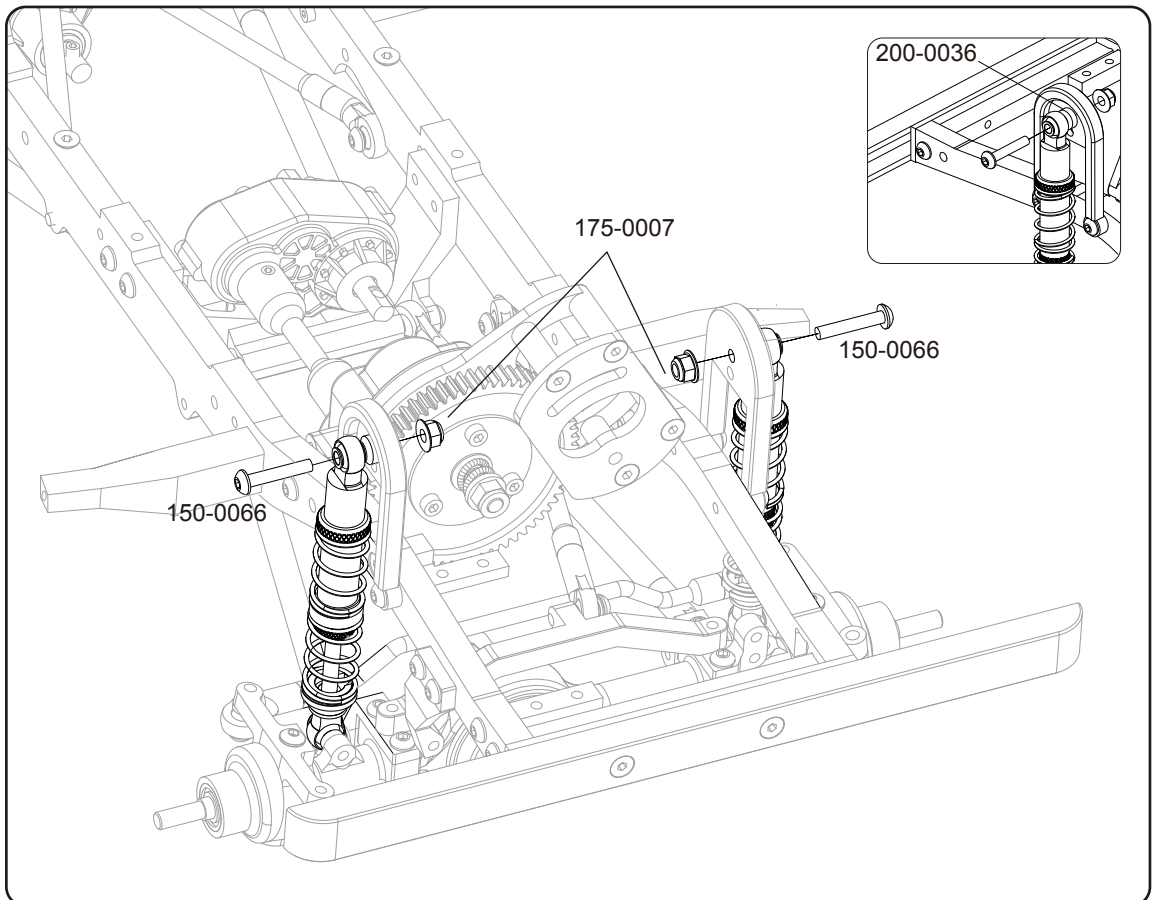
RC4WD

Step 36

 X2
150-0066
M3 x 16mm BHCS


 X2
175-0007
M3 Black Lock Nut

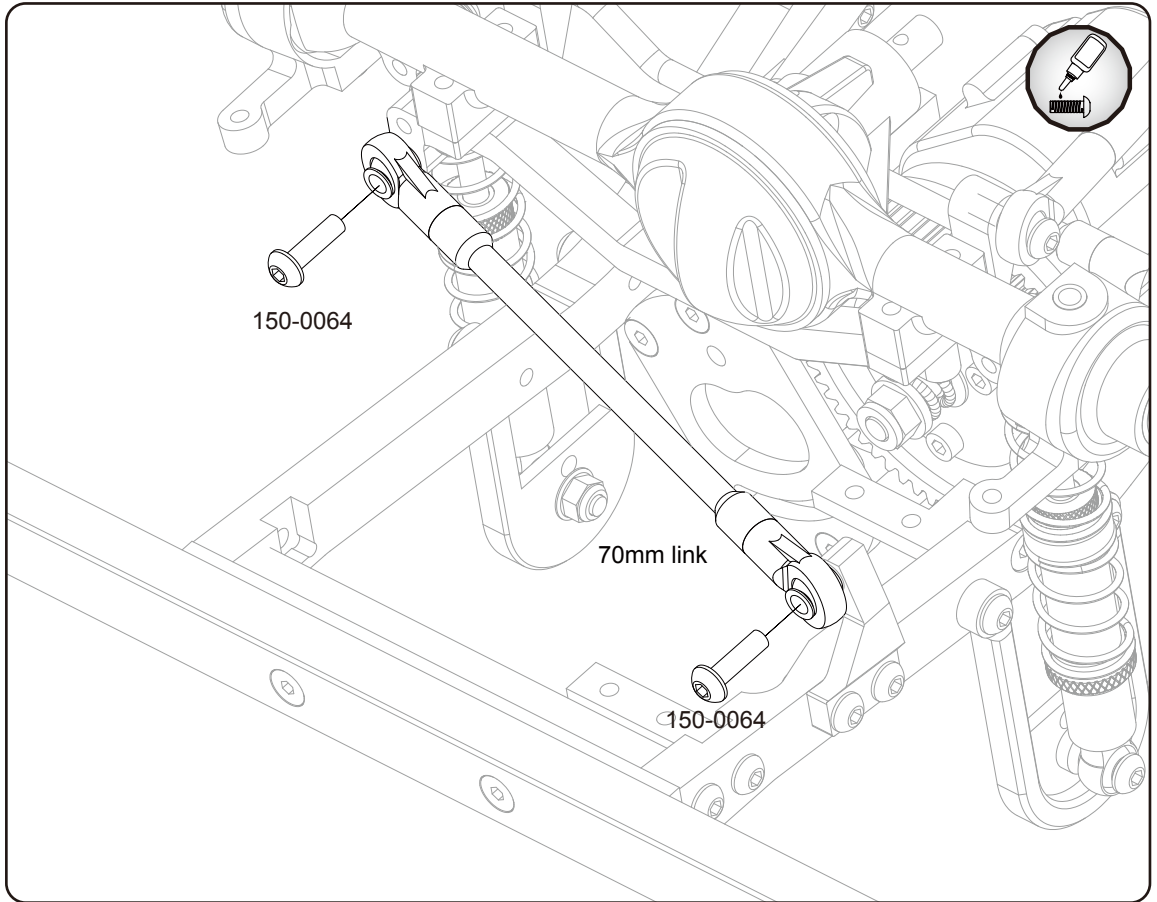
 X2
200-0036
M3 X 3mm Spacer



RC4WD

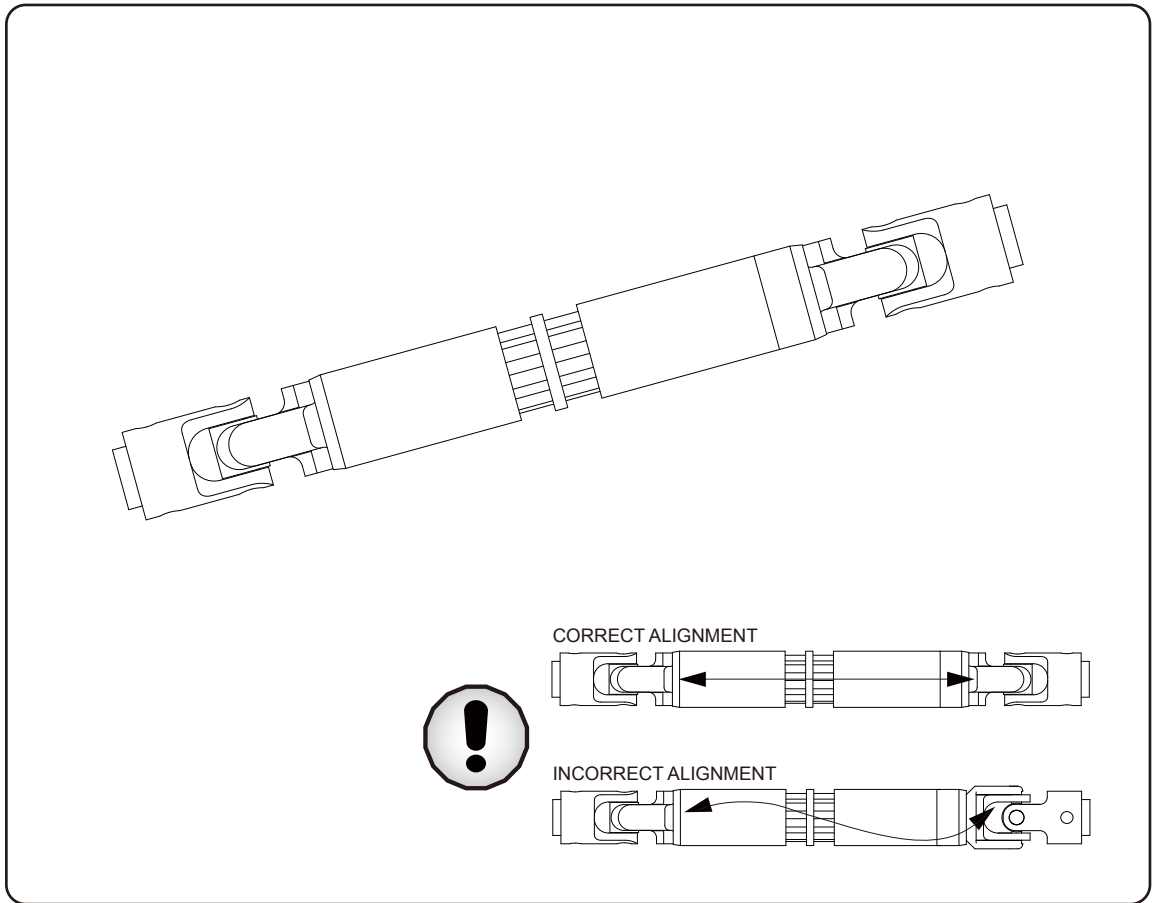
Step 37

 X2
150-0064
M3 x 12mm BHCS

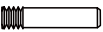


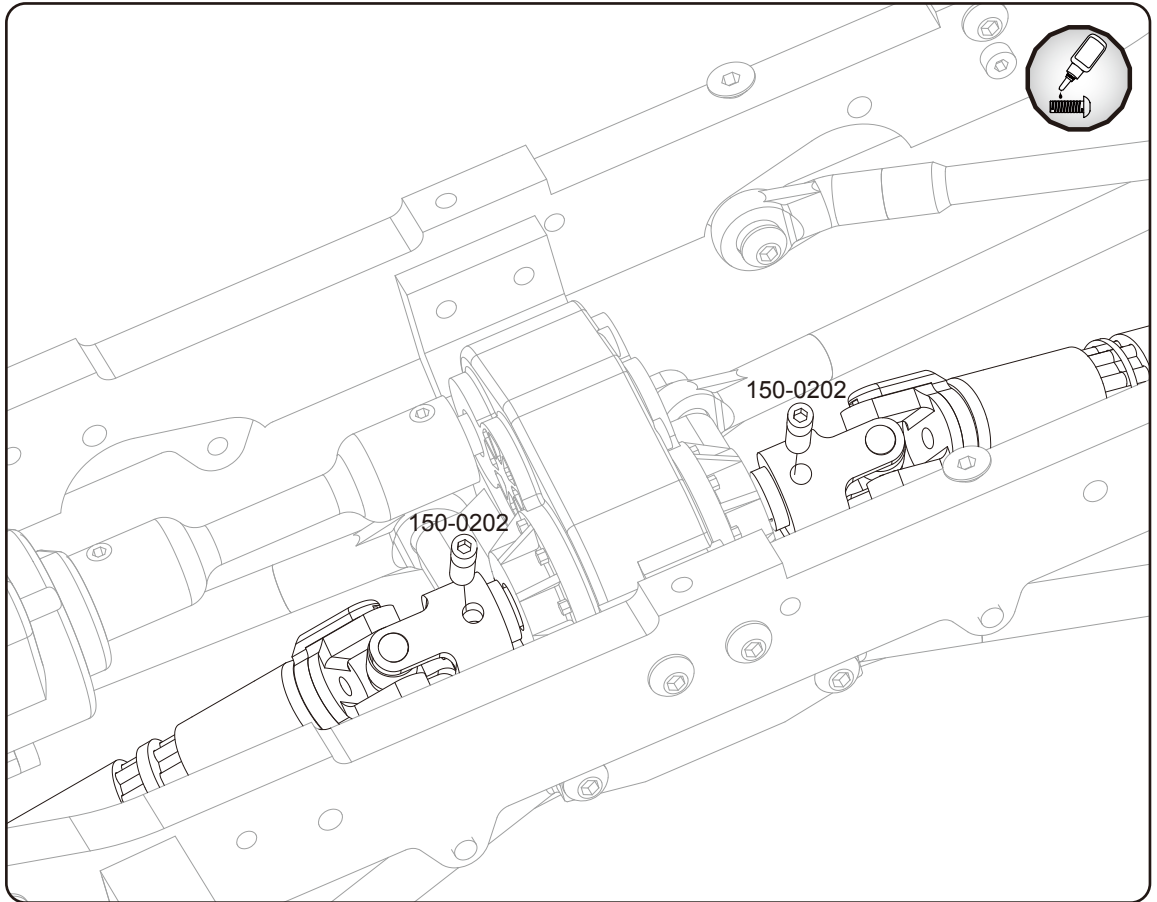
RC4WD

Step 38

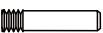


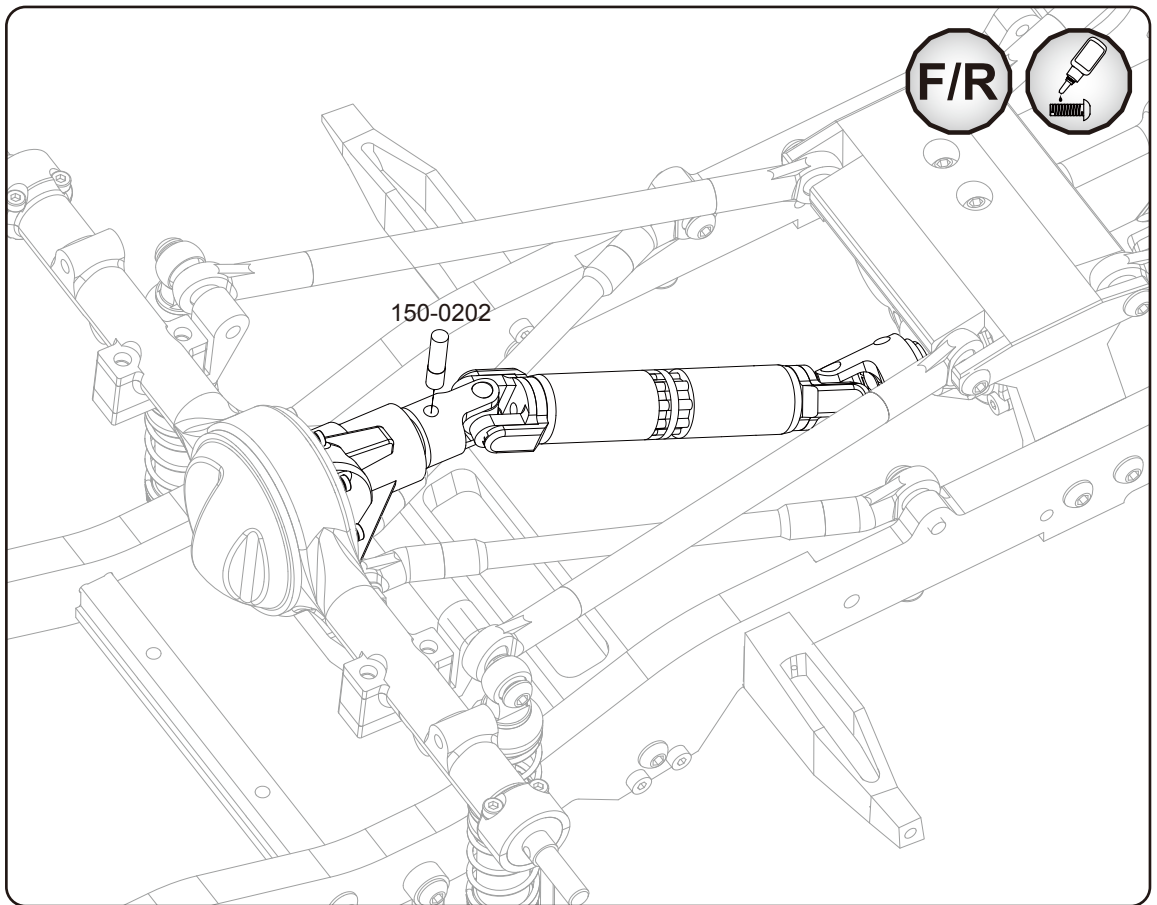
RC4WD
Step 39

 X2
150-0202
M3 Drive Shaft Pin




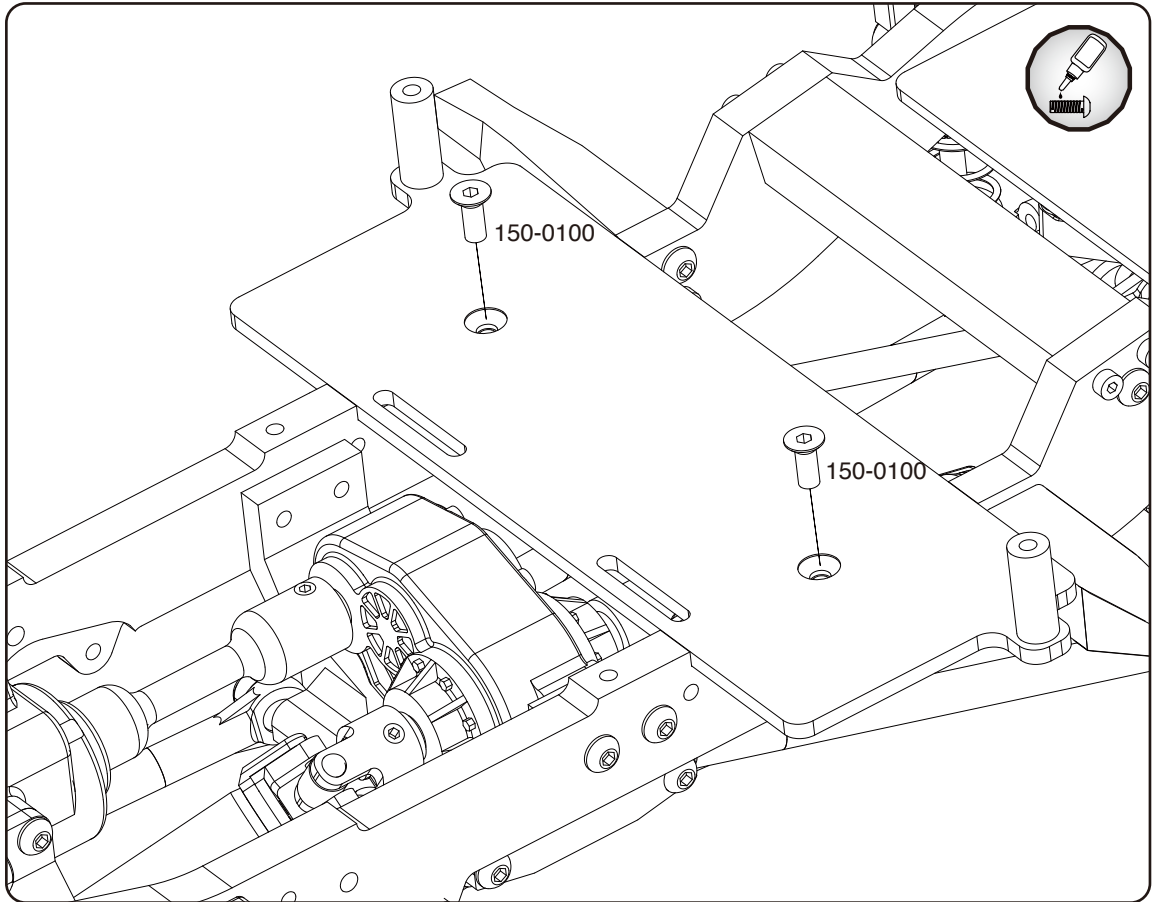
RC4WD
Step 40

 X2
150-0202
M3 Drive Shaft Pin




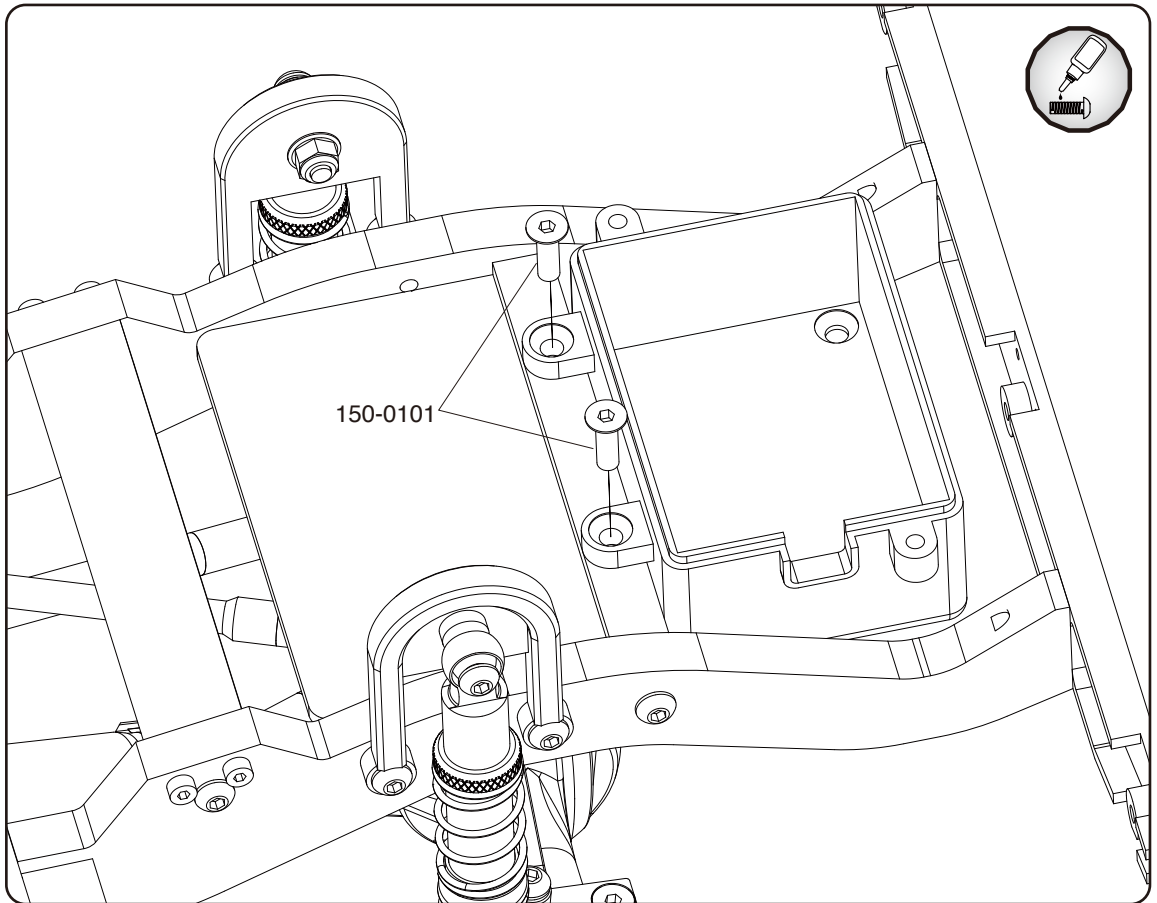
RC4WD
Step 41

 X2
150-0100
M3 x 8mm FHCS



RC4WD
Step 42

 X2
150-0101
M3 x 10mm FHCS

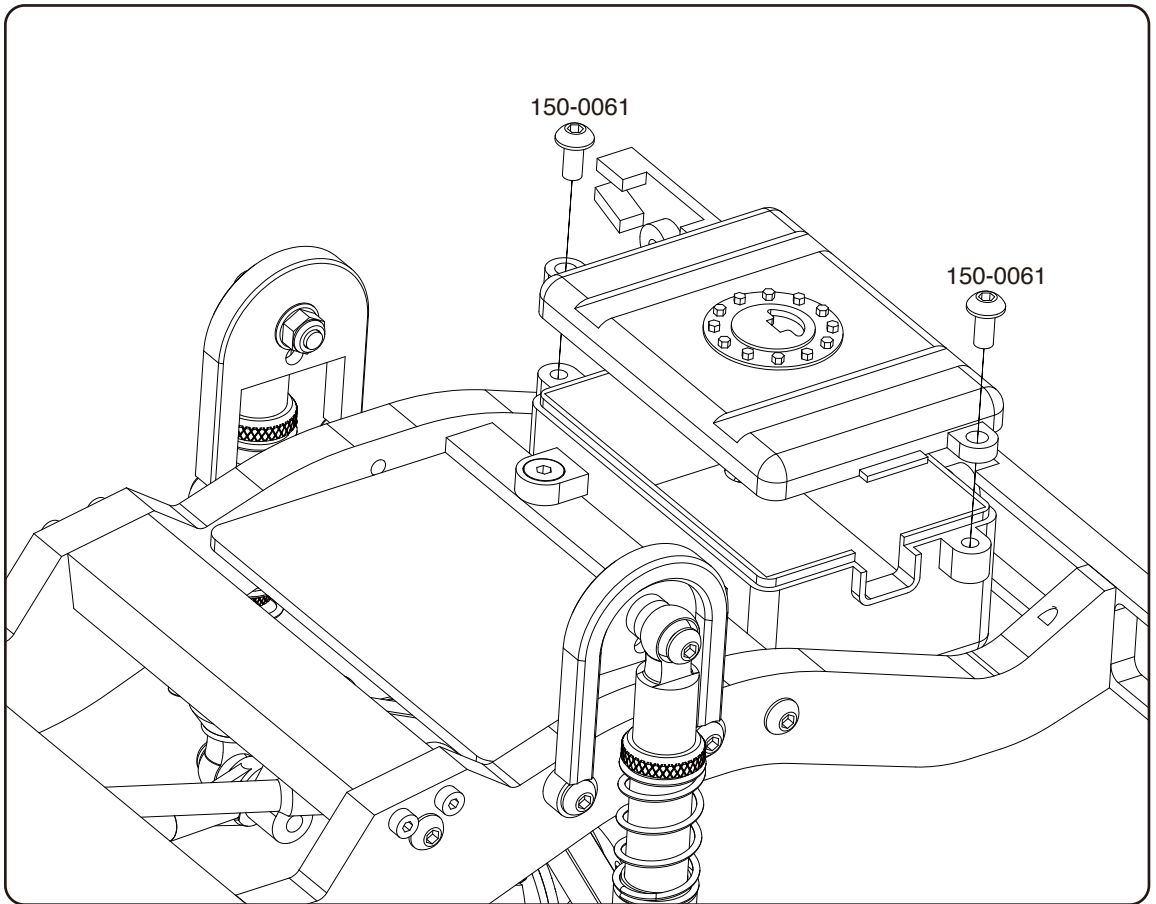


RC4WD

Step 43

 X2

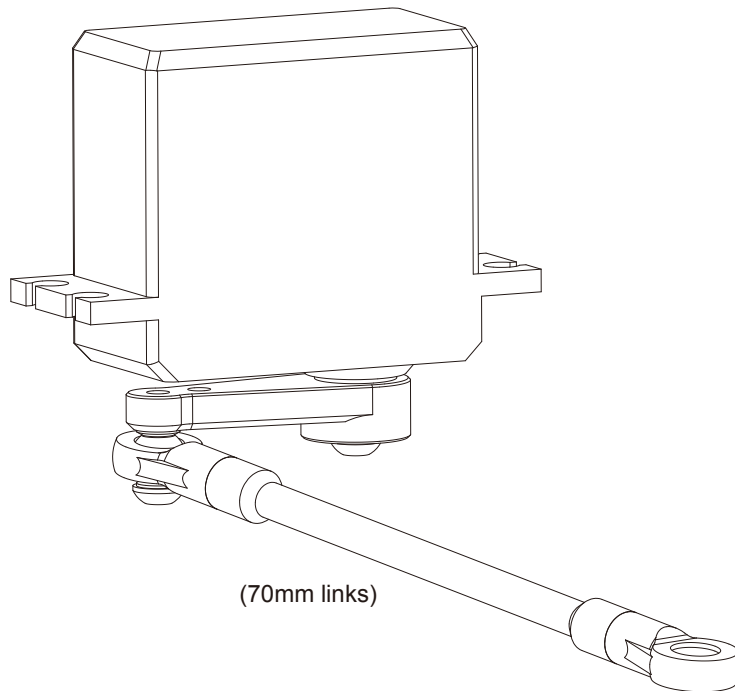
150-0061
M3 x 6mm BHCS



RC4WD


Step 44

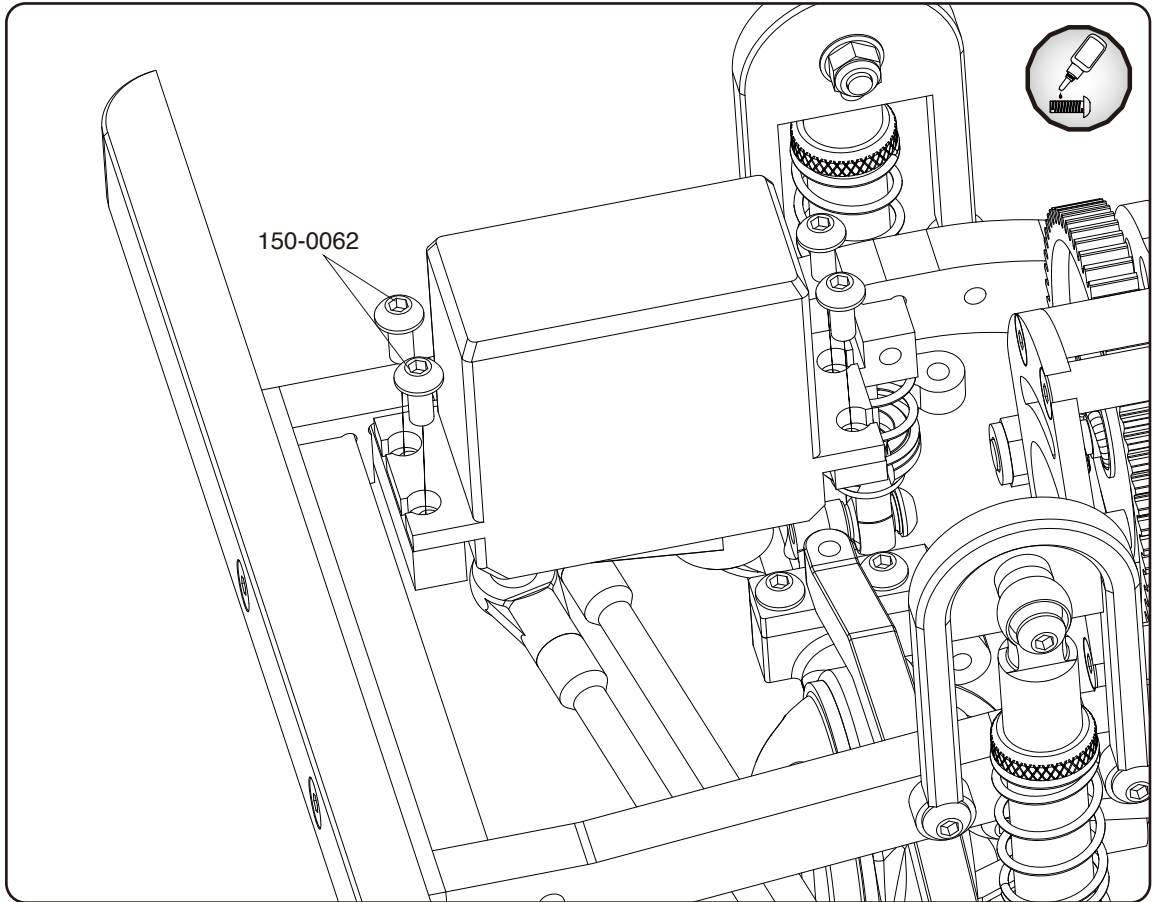
Note: Servo and servo horn are not included in this kit




(70mm links)


RC4WD
Step 45

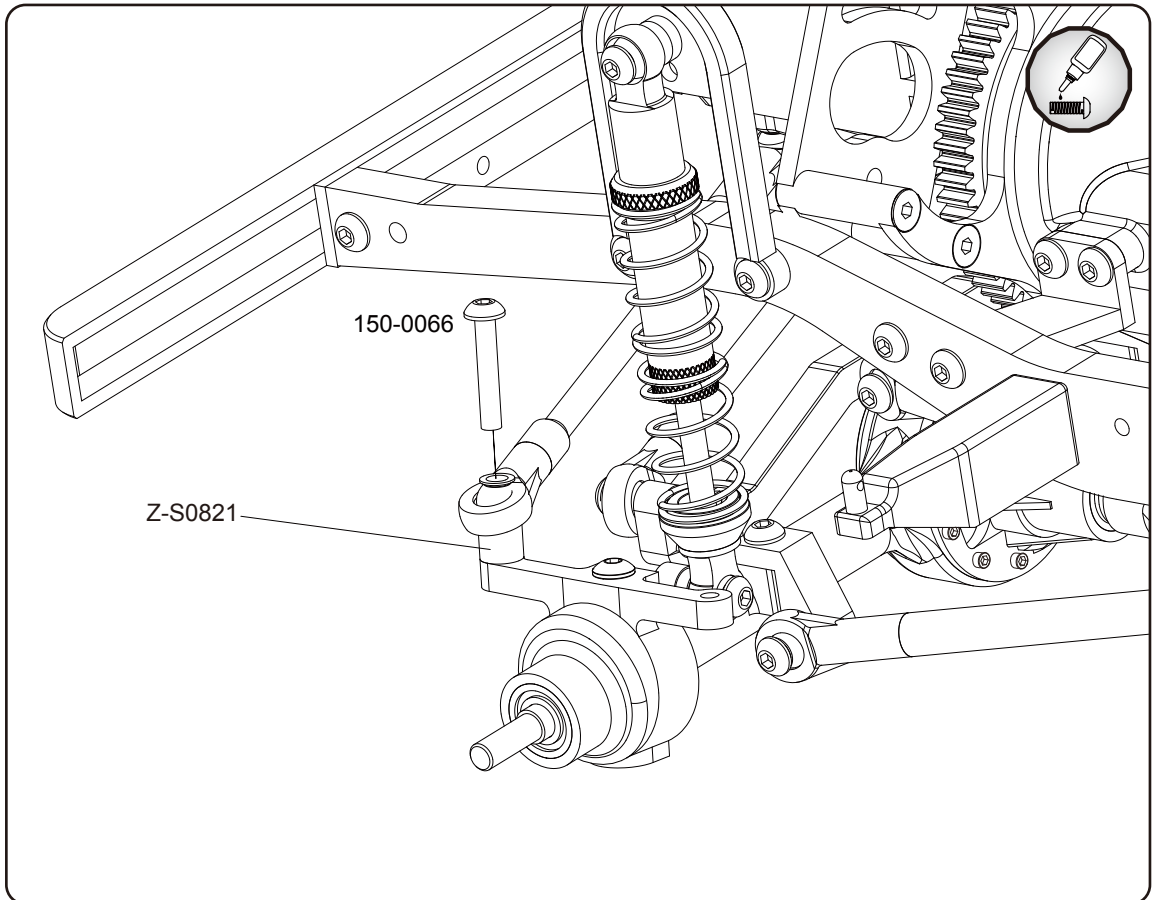
 X4
150-0062
M3 x 6mm BHCS



RC4WD
Step 46

 X1
150-0066
M3 x 16mm BHCS

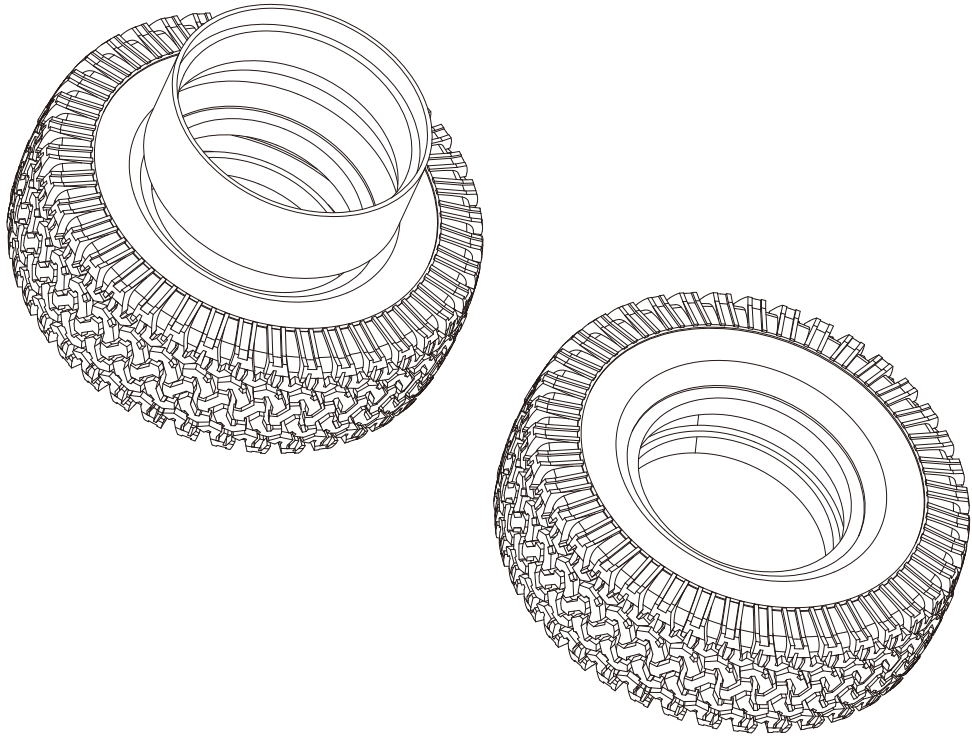
 X1
Z-S0821
M3 X 5mm Spacer



RC4WD
Step 47

Insert the ring inside the tire

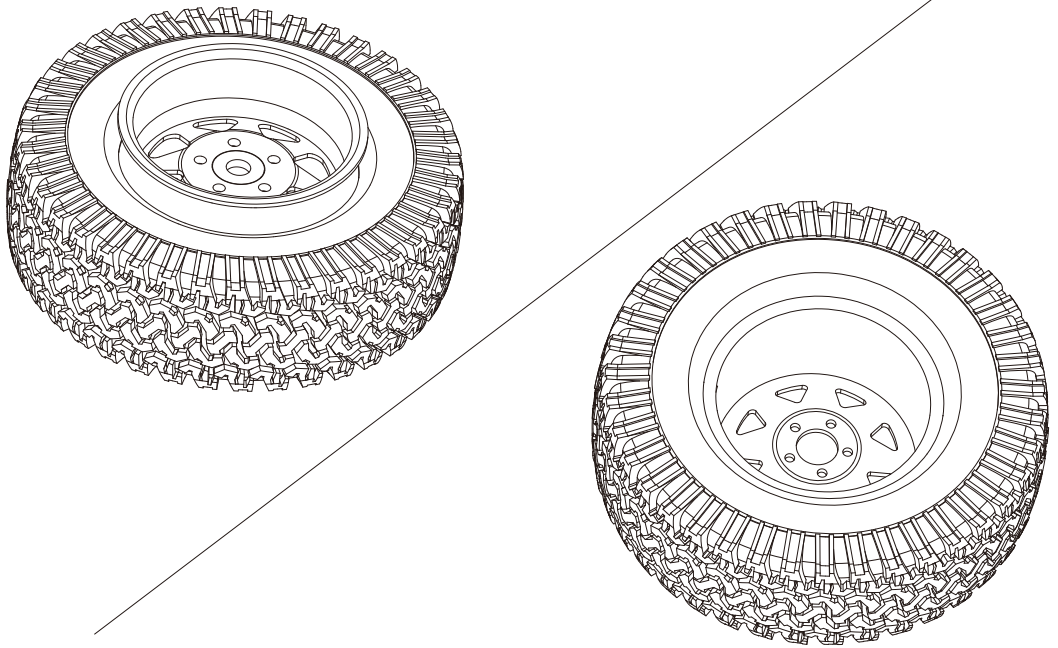
x4



RC4WD
Step 48

Place the rear wheel half inside the ring

x4



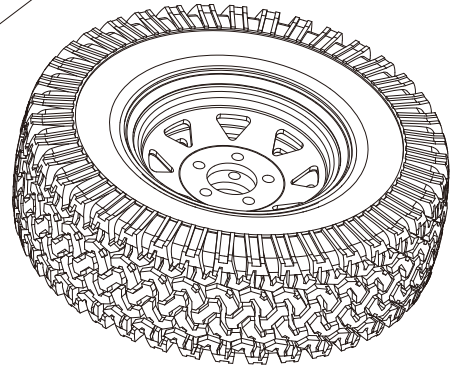
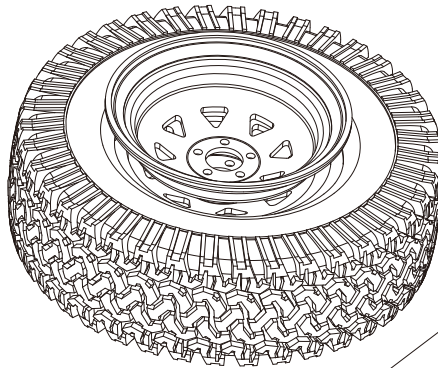
Ensure that the tire bead is evenly captured in the wheel rim
The tire may need to be pulled out a little to make it sit properly.



RC4WD
Step 49

Place the front wheel half inside the ring.
Ensure that the wheel design is aligned front and rear.

x4

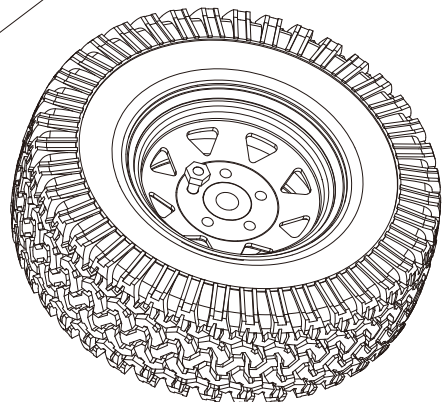
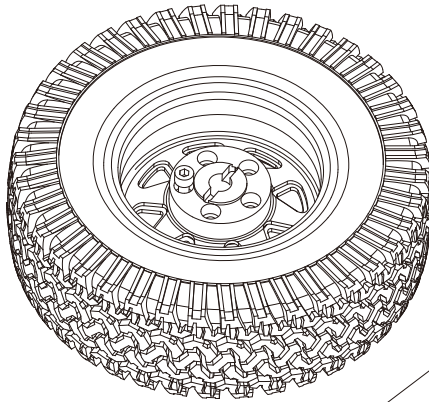


Ensure that the tire bead is evenly captured in the wheel rim.
The tire may need to be pulled out a little to make it sit properly.

RC4WD
Step 50

Place the wheel hub on the rear of the wheel and insert a long bolt
(M2.5 x 12mm) through the wheel

x4

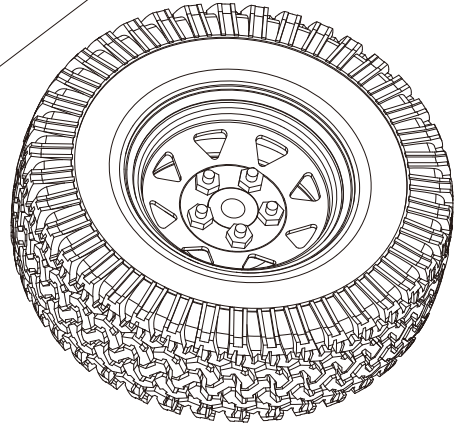
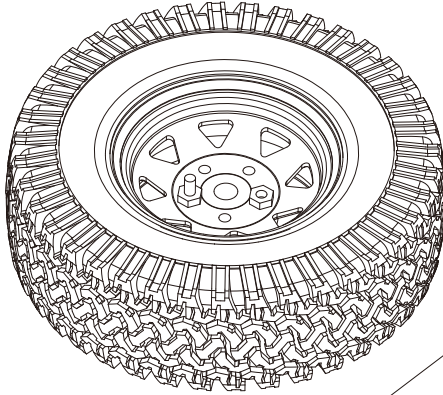


Install a nut and tighten onto the long bolt. Make sure the
tirebead is evenly captured while tightening the nut

RC4WD
Step 51

Install the second bolt (M2.5 x 8mm) and nut.
Make sure the tire bead is evenly captured while tightening the nut.

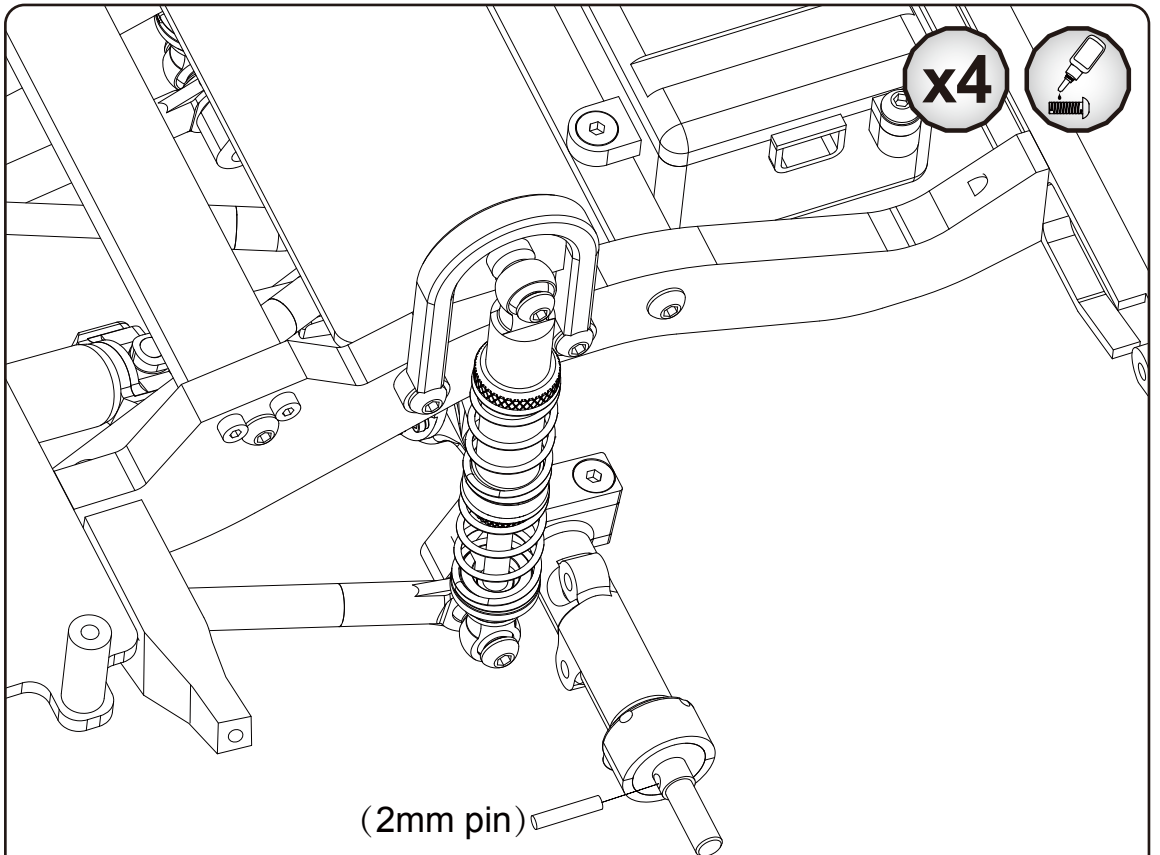
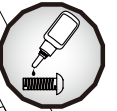
x4



Fit all of the remaining bolts and nuts.
Swap the long bolt that was fitted for the shorter bolt

RC4WD
Step 52

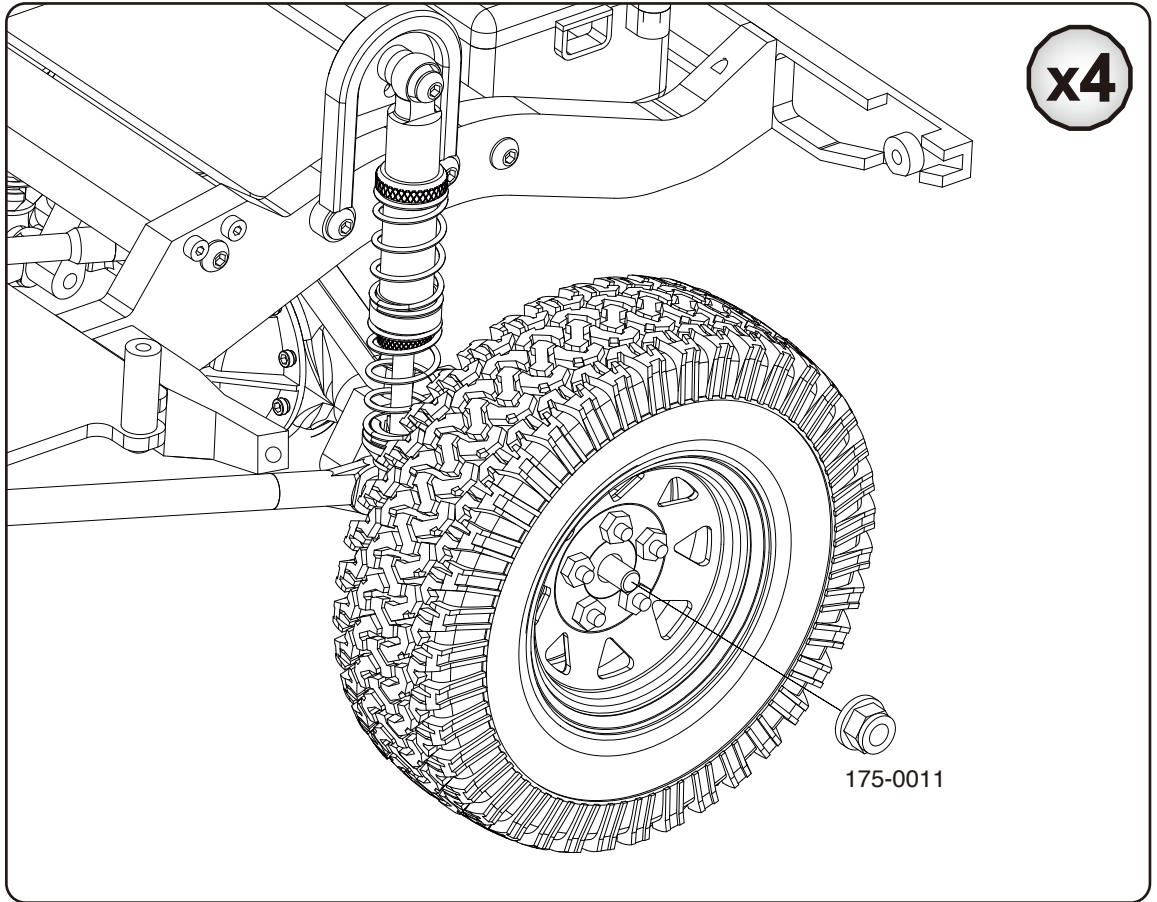
x4




(2mm pin)

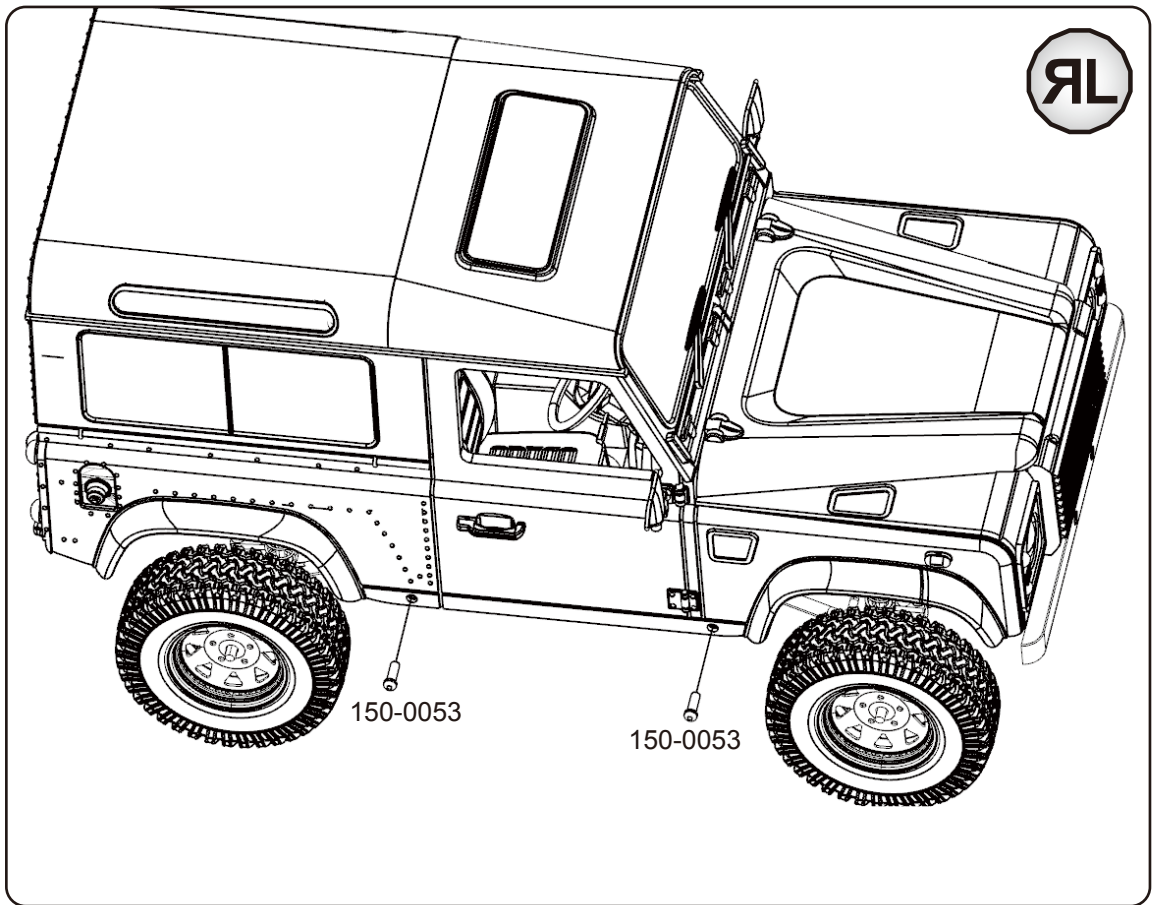
RC4WD
Step 53

 X4
175-0011
M4 Flanged Lock Nut



RC4WD
Step 54

 X4
150-0053
M2.5 x 6mm BHCS



SPARE PARTS

Piezas de repuesto / Pièces de rechange / Ersatzteile

Z-A0080	Yota2 Front Axle
Z-A0081	Yota2 Rear Axle
Z-B0008	1/10 Land Rover Defender D90 Hard Plastic Body Kit
Z-B0034	Land Rover Defender D90 Hard Body Spare Parts Assortment
Z-B0038	D90 Body Decal Sheet
Z-C0040	G2 Chassis Set
Z-D0039	80mm Dual Rate Shocks V2 (Black)
Z-S0398	M3 Mini Plastic Rod End
Z-S0399	M3 Medium Straight Plastic Rod End
Z-S0401	M3 Offset Short Plastic Rod End
Z-S0402	M3 Short Bent Plastic Rod End
Z-S0443	Aluminum Driveshaft Locking Ring for Scale Nylon Punisher Shafts
Z-S0583	Scale Nylon Short Punisher Shaft (89mm-120mm)
Z-S0592	Trail Finder 2 Fuel Cell Radio Box
Z-S0687	Land Rover Defender D90 Door Handles
Z-S0790	G2 Body Mounts
Z-S0791	G2 Servo Mounts
Z-S0792	G2 Battery Deck
Z-S0793	G2 Electronics Deck
Z-S0794	G2 Front 3 Link + Panhard Mount
Z-S0795	G2 Rear 4 Link Mount
Z-S0798	G2 Front Shock Hoops
Z-S0799	G2 Rear Shock Hoops
Z-S0800	G2 Front Bumper
Z-S0801	G2 Rear Bumper
Z-S0802	R3 Single Speed Mounts
Z-S0803	G2 Metal Drive Coupling
Z-S0804	M3 Drive Shaft Pin
Z-S0805	G2 73mm Link
Z-S0806	3mm Spacer (Black)
Z-S0807	G2 59mm Link
Z-S0809	1mm Spacer (Black)
Z-S0810	G2 Drag Link
Z-S0817	G2 65.3mm Link
Z-S0819	G2 70mm Link
Z-S0821	5mm Spacer (Black)
Z-T0005	Dirt Grabber 1.9" All Terrain Tires
Z-U0024	Hammer Transfer Case
Z-U0027	G2 Tcase Mount
Z-U0028	R3 Single Speed Transmission
Z-W0129	5 Lug Wagon 1.9 Steel Stamped Beadlock Wheels (Black)

RECOMMENDED EQUIPMENT

Equipo recomendado / Équipement recommandé / Empfohlene Ausrüstung

Z-E0032	Twister High Performance Waterproof Servo
Z-R0006	XR4 4-Channel 2.4Ghz Transmitter/Receiver Radio
Z-S0820	G2 24T Servo Horn
Z-S0822	G2 25T Servo Horn



OPTIONAL PARTS

Partes opcionales / Pièces en option / Optionale teile

Z-A0096	K44 Ultimate Scale Cast Rear Axle
Z-A0101	K44 Ultimate Scale Cast Front Axle
Z-B0215	RC4WD 2015 Land Rover Defender D90 Body Set
Z-D0061	RC4WD King Off-Road Dual Spring Shocks (90mm Medium OD)
Z-D0063	RC4WD King Off-Road Dual Spring Shocks (100mm Medium OD)
Z-D0072	RC4WD Bilstein SZ Series 80mm Scale Shock Absorbers
Z-D0075	RC4WD Bilstein SZ Series 90mm Scale Shock Absorbers
Z-E0090	RC4WD 6-Cell 3000mAh NIMH Battery Pack
Z-G0059	Helical Gear Set for 1/10 Yota and K44 Axles
Z-H0006	BigDog 1/10 Dual Axle Scale Boat Trailer
Z-Q0023	5 Lug Wagon 1.9" Single Steel Stamped Beadlock Wheel (Black)
Z-S0196	Scale Aisin/Yota Style Hubs
Z-S0233	Pintle hook & lunette ring
Z-S0461	105mm Hardened Steering Link
Z-S0532	1.9 5 Lug Steel Wheel Hex Hub with Brake Rotor
Z-S0573	Ultra Punisher Shafts (83.7MM - 105MM / 3.29" - 4.13") 5MM Hole
Z-S0596	RC4WD Marlin Crawler Side Plastic Sliders for Trail Finder 2
Z-S0597	Shock Hoops for Trail Finder 2 Chassis
Z-S0734	1.9" 5 Lug Steel Wheel Hex Hub
Z-S0802	R3 Single Speed Transmission Mounts
Z-S0820	Heavy Duty Metal Servo Arm 24t Hitec
Z-S0822	Heavy Duty Metal Servo Arm 25t Futaba
Z-S0823	XVD Axle for Ultimate Scale Yota II G2 TF2/TF3 Axle
Z-S0824	Gelände 2 Steering Guard
Z-S0907	Yota II Scale Diff Cover
Z-S1093	RC4WD Billet Aluminum Fuel Cell Radio Box (Black)
Z-S1118	Scale Steel Punisher Shaft V2 (90mm - 115mm / 3.54" - 4.53")
Z-S1122	RC4WD Billet Aluminum Fuel Cell Radio Box (Red)
Z-S1194	Inner Fender Set for Gelände II D90/D110 Body
Z-S1504	Blade Snow Plow Mounting kit for Gelände 2
Z-S1741	Big Boss Fender Flare Set for D90/D110
Z-S1752	Gelände II Leaf Spring Kit
Z-S1859	Blade Snow Plow Mounting Kit for Trail Finder 2 / G2
Z-S1887	Land Rover 1/10 D90/D110 Metal Grill
Z-S1897	Super Soft Flex Leaf Springs for Gelände II (4)
Z-S1899	Over/Under Drive T-Case Lower 4 Link Mount w/ Battery Tray for Gelände II
Z-S2095	Bandit Machined Front Grille for Tamiya King/Grand Hauler (Silver)
Z-T0022	Rocky Country 1.55" Truck Tires
Z-T0029	Mud Hogs 1.55" Scale Tires
Z-T0163	RC4WD Interco IROK ND 1.55" Scale Tires
Z-T0187	RC4WD BFGoodrich Mud-Terrain T/A KM2 1.9" Scale Tires
Z-T0188	RC4WD BFGoodrich All-Terrain K02 1.9" Scale Tires
Z-T0189	RC4WD BFGoodrich Krawler T/A KX 1.7" Scale Tires
Z-T0190	RC4WD BFGoodrich Mud Terrain T/A KM2 1.55" Scale Tires
Z-T0191	RC4WD BFGoodrich Mud Terrain T/A KM3 1.7" Tires
Z-T0192	RC4WD BFGoodrich Mud Terrain T/A KM3 1.9" Tires
Z-T0193	RC4WD Michelin Agilis C-Metric 1.9" Tires
Z-T0194	RC4WD Michelin LTX A-T2 1.7" Tires
Z-T0195	RC4WD Falken Wildpeak A/T Trail 1.9" Scale Tires
Z-T0196	RC4WD Mickey Thompson Baja Pro X 4.19 1.7 Scale Tires
Z-U0028	R3 Scale Single Speed Transmission
Z-U0037	RC4WD Advance Adapters Atlas II Transfer Case (1.47/1)
Z-W0010	RC4WD Center Line 1.9" Warrior Deep Dish Wheels
Z-W0014	RC4WD Centerline 1.55" Scorpion Deep Dish Wheels





RC4WD

737 N. Gateway St.

Visalia, CA 93291

Web: www.rc4wd.com - Email: support@rc4wd.com

100-0133